



Unique Sampling Valve

Alfa Laval Accessories - Pressure Relief Valve

Concept

The pressure relief valve is a pressure valve built for securing steam pressure during sterilization of unique sampling valve.

Working principle

The Pressure Relief Valve is designed to ensure, that the correct pressure and temperature is obtained, when steam sterilizing your sampling valve before and after taking samples.

The pressure relief valve is set to secure a pressure of 2 bar/29 psi equal to 121°C/249.8°F, the recommended temperature for sterilization.

The valve is constructed in isolating material providing easy handling when steaming.

When using the pressure relief valve, the unique sampling valve is sterilized within 2 minutes of steaming.



TECHNICAL DATA

Temperature

Temperature range:1°C - 130°C
Temperature range:33.8°F - 266°F
Max. sterilisation temperature, dry steam: . .130°C
Max. sterilisation temperature, dry steam: . .266°F

Pressure

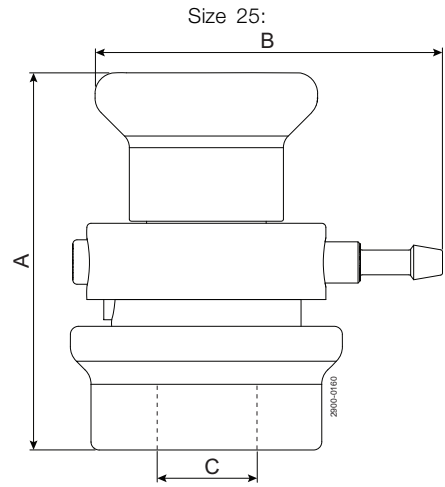
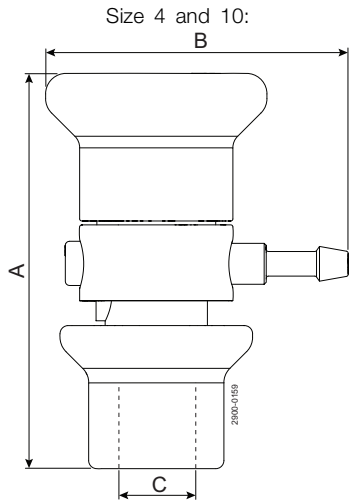
Max. working pressure:600 kPa (6 bar)
Max. working pressure:87 psi (6 bar)
Min. working pressure:0 kPa (0 bar)
Min. working pressure:0 psi (0 bar)

PHYSICAL DATA

Materials

Steel parts: 1.4301 (304)
Other parts PA 6.6 30% GF
Membrane seal: EPDM

Dimensions:



Size 4 and 10:			Size 25:		
A	B	C	A	B	C
96.5	70.7	14	91.5	90.3	30

Size 4 and 10:			Size 25:		
A	B	C	A	B	C
3.8	2.78	0.55	3.6	3.56	1.18

Alfa Laval reserves the right to change specifications without prior notification. ALFA LAVAL is a trademark registered and owned by Alfa Laval Corporate AB.