

Vacuum Chambers - Bell Jars, Feedthrough Collars & Baseplates



SPECIFICATIONS

Materials

Flanges and body: 304 stainless steel
O-rings: Viton

Finish: Beadblast standard
(Tumbled and electropolish available)

Fasteners: Wing nut, SureSeal,
bulkhead and chain clamps

Vacuum range

Elastomer seal: $\geq 1 \times 10^{-8}$ mbar - High vacuum
Metal seal: $\geq 1 \times 10^{-11}$ mbar - UHV

Temperature range

Viton: -20°C to 200°C

Silicone: -50° to 230°C

Buna: -30°C to 110°C

Metal seal: -270°C to 150°C

Bell Jars

MODEL NUMBER	TUBE OD A	FLANGE OD B	C	D
BJ-1200	12 (304.80)	14 (355.60)	12.00 (304.80)	6.00 (152.40)
BJ-1200-EP*	12 (304.80)	14 (355.60)	12.00 (304.80)	6.00 (152.40)
BJ-1800	18 (457.20)	20 (508.00)	30.00 (762.00)	12.00 (304.80)
BJ-1800-EP*	18 (457.20)	20 (508.00)	30.00 (762.00)	12.00 (304.80)
BJ-2400	24 (609.60)	26 (660.40)	30.00 (762.00)	12.00 (304.80)
BJ-2400-EP*	24 (609.60)	26 (660.40)	30.00 (762.00)	12.00 (304.80)

NOTE: One Viton O-ring is included with all of the above.

*Electropolished finish.

Feedthrough Collars

MODEL NUMBER	NUMBER OF 2.75 CF PORTS	TUBE OD A	FLANGE OD B
FCO-1200-6	6	12 (304.80)	14 (355.60)
FCO-1200-6-EP*	6	12 (304.80)	14 (355.60)
FCO-1800-8	8	18 (457.20)	20 (508.00)
FCO-1800-8-EP*	8	18 (457.20)	20 (508.00)
FCO-2400-12	12	24 (609.60)	26 (660.40)
FCO-2400-12-EP*	12	24 (609.60)	26 (660.40)

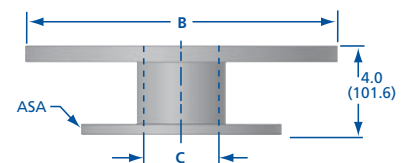
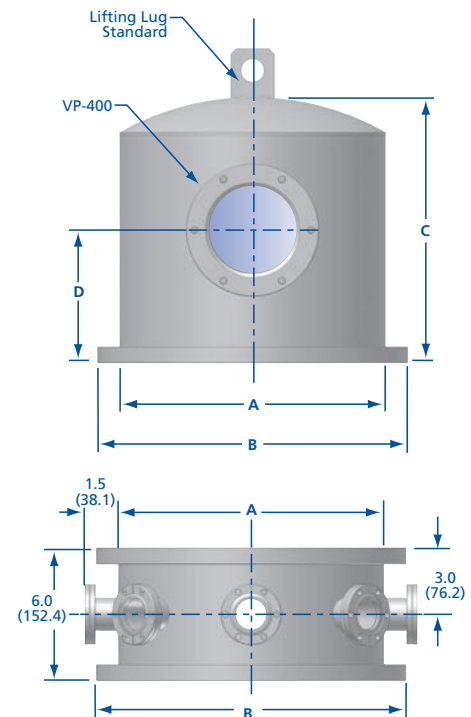
NOTE: One Viton O-ring is included with all of the above.

*Electropolished finish.

Baseplates

MODEL NUMBER	NOMINAL SIZE	ASA FLANGE	FLANGE OD B	TUBE ID C
BP-1200	12 (304.80)	ASA-9-400N	14 (355.60)	3.83 (97.28)
BP-1200-EP*	12 (304.80)	ASA-9-400N	14 (355.60)	3.83 (97.28)
BP-1800	18 (457.20)	ASA-11-800N	20 (508.00)	7.76 (197.10)
BP-1800-EP*	18 (457.20)	ASA-11-800N	20 (508.00)	7.76 (197.10)
BP-2400	24 (609.60)	ASA-11-800N	26 (660.40)	7.76 (197.10)
BP-2400-EP*	24 (609.60)	ASA-11-800N	26 (660.40)	7.76 (197.10)

*Electropolished finish.



Replacement Viton O-Rings

MODEL NUMBER

1200-OR

1800-OR

2400-OR

All dimensions are in inches (mm) & weights are in pounds (kg), unless otherwise noted.

REV 6/16