

# Fulflo® TC Single Cartridge Filter Vessel

Stainless steel vessels for use with SOE-222 style filter cartridges (non ASME code)

The SSTC models have a 316 stainless steel shell and a four-boss 316 stainless steel head for applications where an all-stainless steel construction is required. The vessels feature a head which accepts SOE TC style filter cartridges which eliminates the possibility of fluid bypass.



## Contact Information

Parker Hannifin Corporation  
**domnick hunter**  
**Process Filtration - North America**  
2340 Eastman Avenue  
Oxnard, California, USA 93030

toll free +1 877 784 2234  
phone +1 805 604 3400  
fax +1 805 604 3401  
dhpsales.na@parker.com

[www.parker.com/processfiltration](http://www.parker.com/processfiltration)

## Benefits

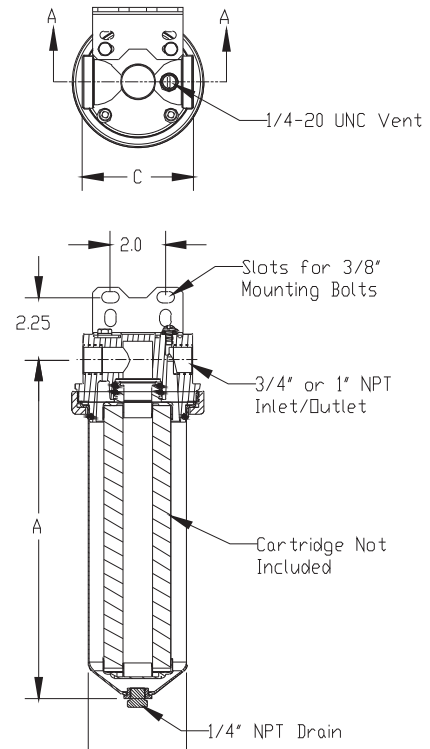
- The vessels are sealed using a ring type threaded closure which requires no special tools to change the cartridges
- Threaded ring closure for quick cartridge change
- 222 seal cup for TC and competitive cartridge sealing (M3, Code 3, Code 0)
- Integrally cast brackets for easy mounting
- Standard Buna-N closure o-ring material with optional Viton, EPR and Silicone available
- Available for use with 10", 20" and 30" cartridge lengths
- Vessel has no internal parts
- Cartridge seating is positive and can be checked prior to closing
- All components have electropolished finish

## Applications

- Solvents
- Chemicals
- Potable Water
- Parts Washer

# Fulflo® TC Single Cartridge Filter Vessel

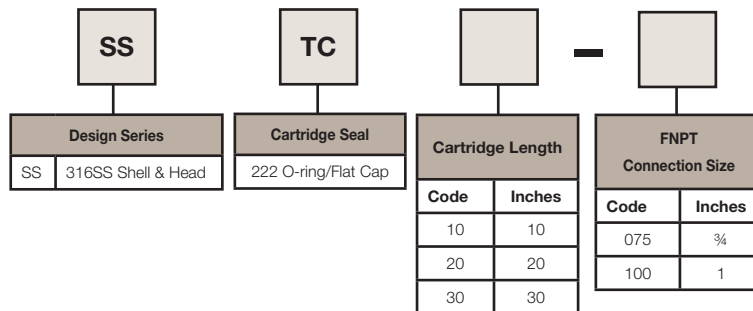
Optional Shell O-Ring/Gasket	
Material	Part #
Nitrile/Buna-N (Std.)	4151-1236
EPDM	4154-5236
FKM (Viton®)	4152-8236
Silicone	4151-4236
Fluoropolymer encapsulated Viton®	4154-4236
Fluoropolymer encapsulated Silicone	4150-5617



## Design Specifications

Model	Typical Aqueous Flow (gpm)	Cartridge Length (in)	Max. Op. Pressure (psi @ 250°F)	(A) Overall Height (in)	(B) Outside Diam. (in)	(C) Face-to-Face Dim. (in)	Pipe Size (NPT) (in)	Shipping Wt. (lbs)
SSTC10-075	5	10	200psi (13.8bar)	12.25	3.50	3.94	.75	7.80
SSTC20-075	10	20	200psi (13.8bar)	22.38	3.50	3.94	.75	9.00
SSTC30-075	15	30	200psi (13.8bar)	32.50	3.50	3.94	.75	10.20
SSTC10-100	5	10	200psi (13.8bar)	12.25	3.50	3.94	1.00	7.80
SSTC20-100	10	20	200psi (13.8bar)	22.38	3.50	3.94	1.00	9.00
SSTC30-100	15	30	200psi (13.8bar)	32.50	3.50	3.94	1.00	10.20

## Ordering Information



**Note:** Buna-N is standard seal.

Specifications are subject to change without notification.  
For User Responsibility Statement, see [www.parker.com/safety](http://www.parker.com/safety)

© 2010 Parker-Hannifin Corporation  
domnick hunter Process Filtration - North America  
All Rights Reserved  
Fulflo is a registered trademark of Parker-Hannifin Corporation  
Viton is a registered trademark of E.I. DuPont de Nemours & Co., Inc.



DS\_IP\_TC Vessel Rev. A