

Sample Transfer & Manipulation - Precision Linear/Rotary Motion Feedthrough



SPECIFICATIONS

Construction

Mounting flange: 2³/₄ CF, clearance holes
 Linear probe: 1/₈ inch OD
 Rotary tube: 3/₈ inch OD, 9 inch length
 Bearings: Precision internal guide

Motion

Linear: 1/₂ inch, micrometer adjusted
 Rotary: 360° continuous, 0.1° resolution
 in 1.0° graduations with position lock

Operating orientation: Any

Temperature

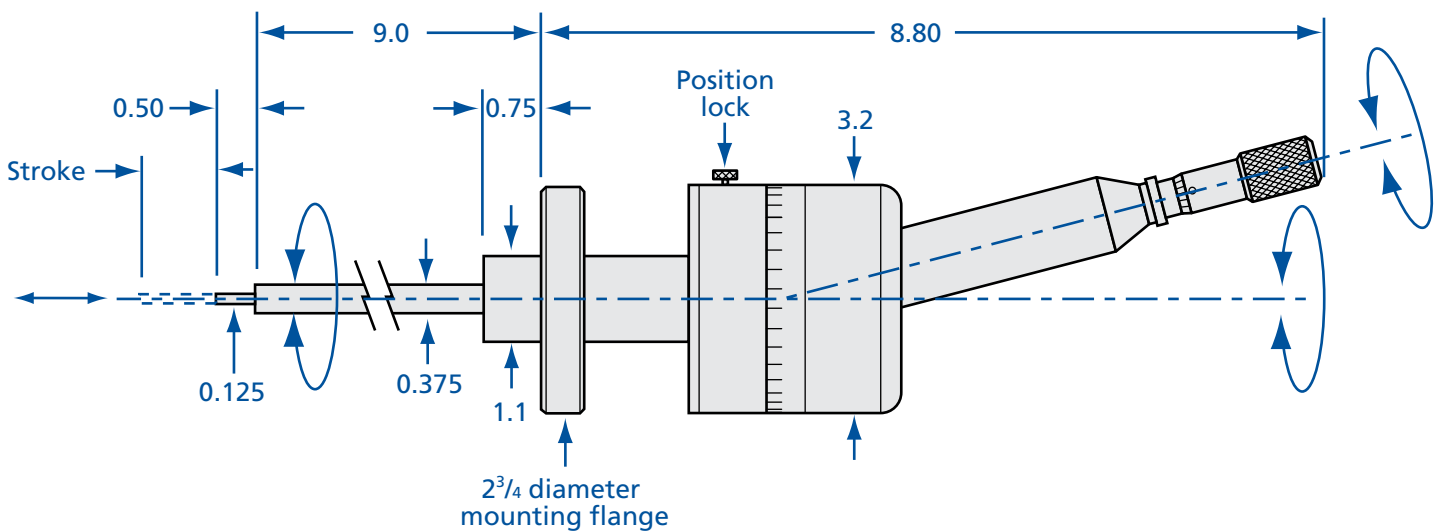
Maximum bakeout: 200°C
 Operating: 20°C (ambient)

Vacuum range: ≥ 10⁻⁸Torr - UHV

Guarantee: Five years

Precision Linear/Rotary Motion Feedthrough

MODEL NUMBER	DESCRIPTION	STROKE
PLR-275-050	Stand-alone device or used when coupled with a gearbox to control polar and azimuthal rotation of a sample	1/2



REV 6/16

