

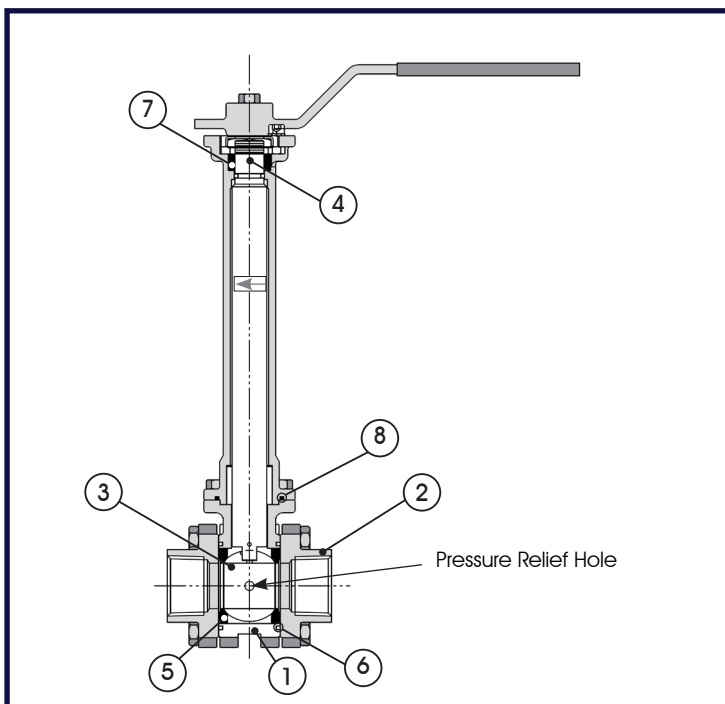
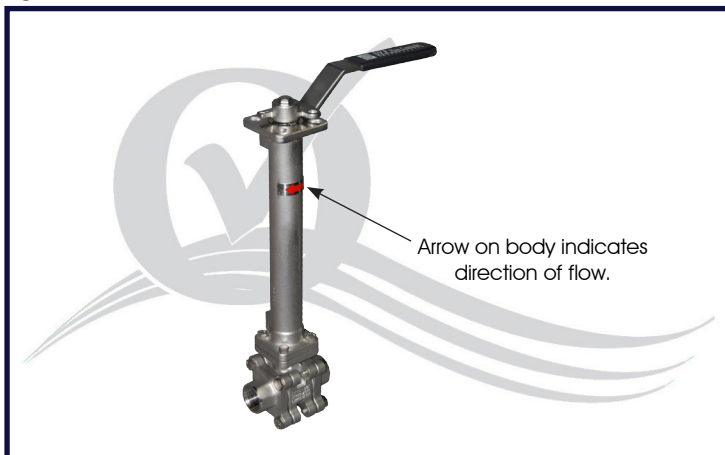


Scan the barcode with your Smart-Phone app and view the latest publication of this document

The SVF Series K8 Cryogenic Ball Valve is the quality solution for tough applications involving all types of cryogenics; oxygen, hydrogen, methane, ammonia, nitrogen, fluorine, and LNG. Our complete line of K8 cryogenic valves are backed by years of successful field experience and incorporates superior technology and design.

SERIES K8 DESIGN FEATURES

- ✓ Pressure rated to 2000 WOG
- ✓ Built-In ISO 5211 Direct Mounting Pad for easy automation
- ✓ Anti-Static stem device
- ✓ Three-piece "swing out" design offers easy access for in-line maintenance
- ✓ Standard seat material is PCTFE
- ✓ Blowout proof stem adds safety & reliability
- ✓ Meets testing requirements of BS 6364 standard
- ✓ Screwed Ends (SE0) standard
- ✓ Optional Ends: Socket Weld (SW0), Butt Weld (BW0) and 150# Raised Flange Ends (RF1)



MATERIALS OF CONSTRUCTION

ITEM #	DESCRIPTION	MATERIALS SPECIFICATIONS
1	Body	316 Stainless Steel (ASTM A351 CF8M),
2	End Connector	316L Stainless Steel (ASTM A351 CF3M)
3	Ball	316 Stainless Steel (ASTM A351 CF8M)
4	Stem	Stainless Steel 17-4 ph (ASTM A564 630)
5	Seat	PCTFE
6	Body Seal	GRAFOIL
7	Stem Seal	PCTFE
8	Bonnet Seal	GRAFOIL

SERIES K8 STANDARDS OF COMPLIANCE

SVF Series K8 Ball Valves have been
third party tested
according to BS 6364 standard
Contact SVF for our full report

What do you need today?[™]

HIGH PURITY VALVES
CleanFLOW

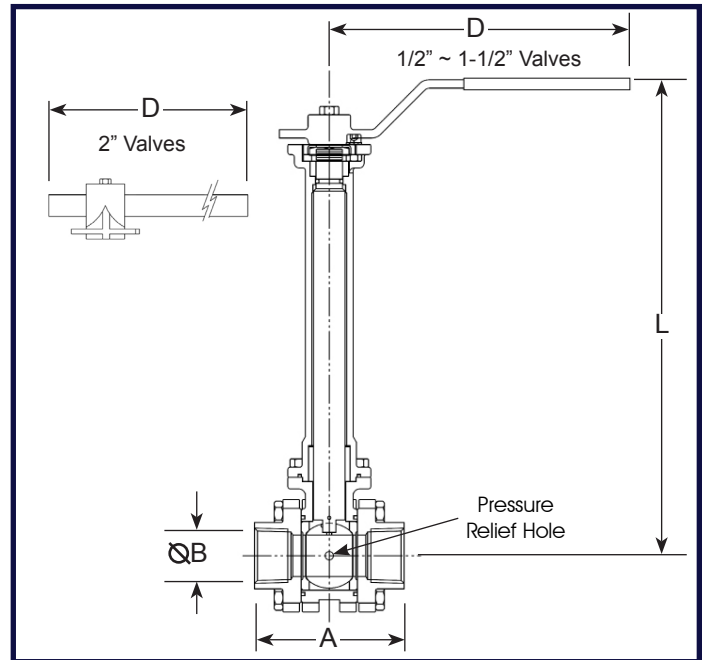
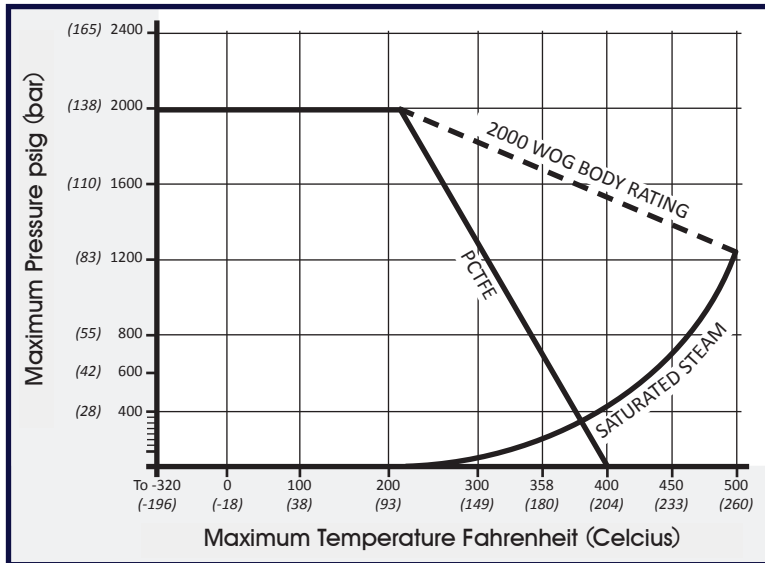
PRO-SPEC
PROCESS SPECIFIC
WWW.PRO-SPEC.NET

QUALITY FLOWS
THROUGH US

DIMENSIONS, WEIGHT, CV, TORQUE

Valve Size	A		B		D		L		Weight		Cv	TORQUE @ -320°F (-196°C)	
	in.	mm	in.	mm	in.	mm	in.	mm	lbs	kg		in-lbf	Nm
1/2"	2.95	75	0.59	15	6.1	156	10.8	274	4.1	1.8	37	180	20
3/4"	2.95	75	0.59	15	6.1	156	10.8	274	4.4	2.0	38	180	20
1"	3.15	80	0.79	20	6.1	181	10.9	276	4.9	2.2	71	240	27
1-1/2"	4.33	110	1.22	31	7.1	181	11.50	292	8.3	3.7	177	400	45
2"	4.72	120	1.50	38	15.5	395	15.9	403	15.6	7.1	280	500	56

K8 - PRESSURE/TEMPERATURE CHART



HOW TO ORDER SERIES K8 BALL VALVES

Please refer to the next page for our comprehensive How to Order Guide for Series K8 Ball Valves.



Ordering Code Sequence (Columns 1 thru 11)

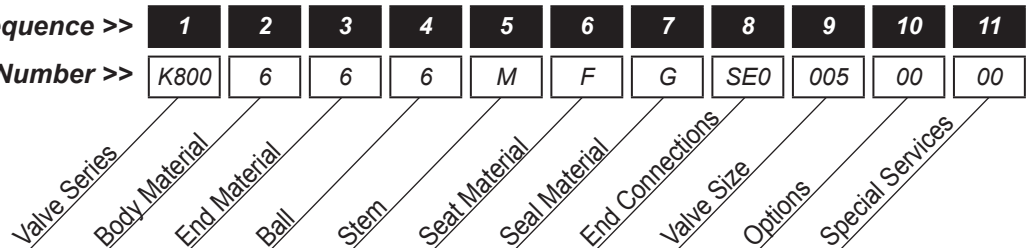
1	2	3	4	5	6
SERIES	BODY	ENDS	BALL	STEM	SEAT MATERIAL
K800 = Series K8	6 = 316 Stainless Steel ASTM A351 CF8M	6 = 316L Stainless Steel ASTM A351 CF3M	6 = 316 Stainless Steel ASTM A351 CF8M	M = Stainless Steel 17-4 pH ASTM A564 630	F = PCTFE

7	8	9	10	11
BODY SEAL	END CONNECTIONS	VALVE SIZE	OPTIONS	SPECIAL SERVICES
G = GRAFOIL	SE0 = Screwed Ends (FNPT) (Standard) SW0 = Socket Weld Ends BW0 = Butt Weld Ends RF1 = 150# Flanged Ends (Raised Face)	005 = 1/2" (Full Port) 007 = 3/4" 010 = 1" 015 = 1-1/2" 020 = 2"	00 = None	00 = None XC = Oxygen Cleaned

Order Example: (K800666MFGSE00050000) The Part Number will contain 20 digits.

Ordering Code Sequence >>

Sample Part Number >>



Manual Valves are supplied with lockable lever handles.