



Scan the barcode with your Smart-Phone app and view the latest publication of this document



The SVF Series FS7 standard port ball valves are produced in 3" and 4" sizes and complete the three-piece fire safe series of ball valves. They satisfy a wide range of industrial applications for processing and handling flammable fluids.

### SERIES FS7 DESIGN FEATURES

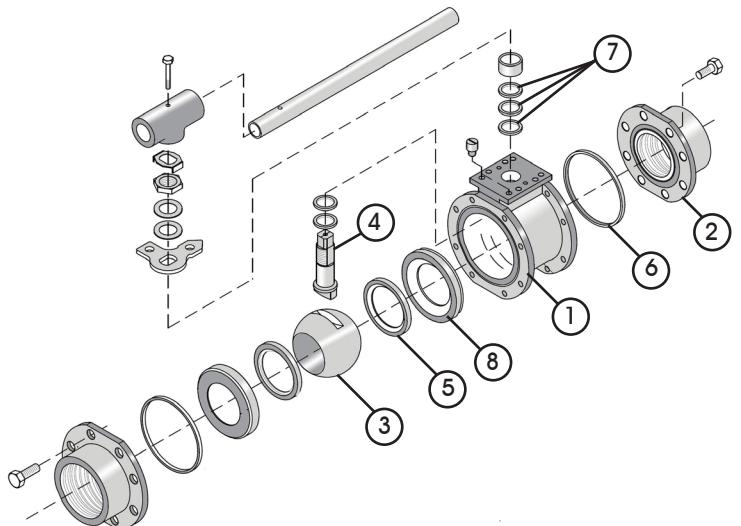
- ✓ Fire tested to API-607
- ✓ GRAFOIL® Body Seals
- ✓ Latch lock handle fully compatible with OSHA clamp for Lock-Out/Tag-Out
- ✓ Built-In ISO 5211 mounting pad for easy automation
- ✓ End connections include SE (Screwed Ends, FNPT), SW (Socket Weld) and BW (Butt Weld)



The Series FS7 Ball Valve is available with additional options. Contact SVF for more information.

### MATERIALS OF CONSTRUCTION

ITEM	DESCRIPTION	MATERIALS SPECIFICATIONS (Additional options available)
1	Body	316 Stainless Steel (ASTM A351 CF8M) Carbon Steel (ASTM A216 WCB)
2	End Connector	316L Stainless Steel (ASTM A351 CF3M) Carbon Steel (ASTM A216 WCB)
3	Ball	316 Stainless Steel (ASTM A351 CF8M)
4	Stem	316 Stainless Steel (ASTM A276)
5	Seat	TFM1600™
6	Body Seal	GRAFOIL®, PTFE
7	Stem Seal	GRAFOIL®, TFM1600™, SupraLon™
8	Seat Retainer	316L Stainless Steel (ASTM A351 CF8M)



### SPECIFICATION STANDARDS OF COMPLIANCE

SVF Series FS7 Ball Valves are available in designs that meet the following Industry Standards:

- ANSI
- ASME
- API
- NACE
- ASTM
- DIN
- ISO
- MSS

Contact SVF for specific applications

**What do you need today?**™

HIGH PURITY VALVES  
**CleanFLOW**

**PRO-SPEC**  
PROCESS SPECIFIC  
WWW.PRO-SPEC.NET

**QUALITY FLOWS**  
THROUGH US

Please visit [www.SVF.net](http://www.SVF.net) for the latest updates on this document. All data posted on our website supersedes all prior publications • [Document # SVF\_FS7\_Data\_Sheet • Rev Date: 08/10/2013]

Your Resource is

[www.SVF.net](http://www.SVF.net)

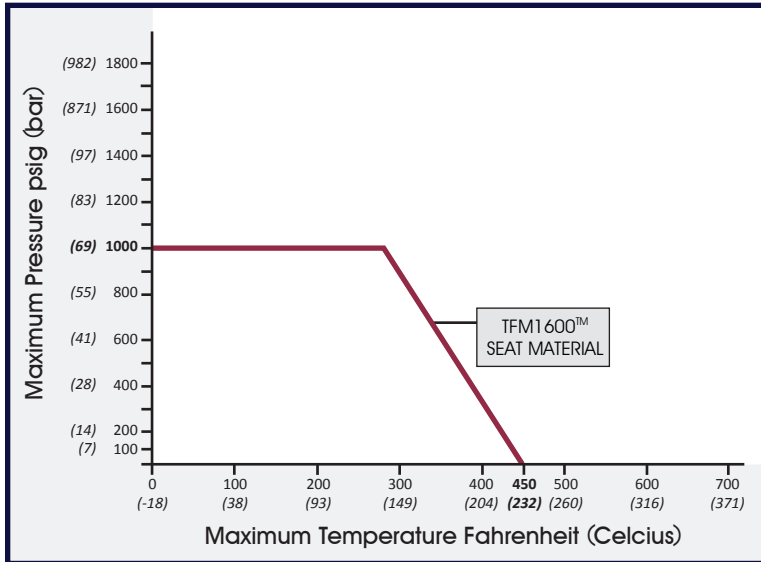
© SVF Flow Controls, Inc. • 13560 Larwin Circle • Santa Fe Springs, CA 90670 • Tel: 1.800.783.7836 • FAX: 562.802.3114  
Sales@SVF.net • Engineering@SVF.net • Visit our website: [www.SVF.net](http://www.SVF.net) • Specifications subject to change without notice



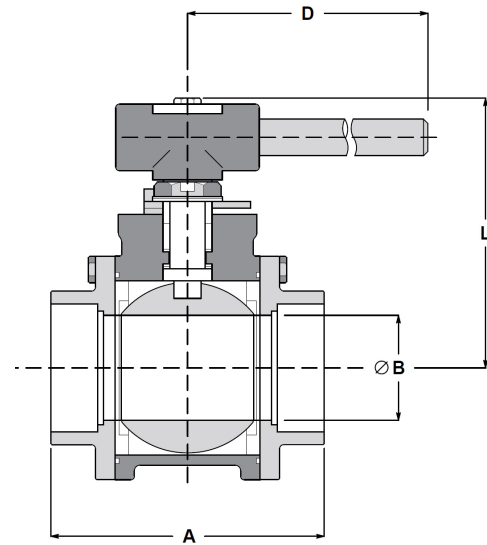
### DIMENSIONS, WEIGHT, Cv, TORQUE

Size	A		B		D		L		Weight		Cv	Torque*	
	in.	mm	in.	mm	in.	mm	in.	mm	lbs	kg		in-lbf	Nm
3"	8.0	204	2.95	74	13.50	343	6.6	168	36	16.3	580	987	112
4"	9.5	240	3.78	96	13.50	343	7.1	181	56	25.4	2400	1009	114

### FS7 - PRESSURE/TEMPERATURE CHART



\* At full differential pressure for clean fluids with TFM1600™ Seats



### HOW TO ORDER SERIES FS7 BALL VALVES

Please refer to the next page for our comprehensive  
How to Order Guide for Series FS7 Ball Valves.

## Three-Piece Fire Safe Ball Valve, Sizes 3" & 4"

Ordering Code Sequence (Columns 1 thru 11)

1	2	3	4	5	6
SERIES	BODY	ENDS	BALL	STEM	SEAT MATERIAL
FS70 = Series FS7	4 = Carbon Steel ASTM A216 WCB	4 = Carbon Steel ASTM A216 WCB	6 = 316 Stainless Steel ASTM A351 CF8M	6 = 316 Stainless Steel ASTM A276-316	A = TFM1600™ (Standard)  N = NRG (Carbon Filled TFE)
	6 = 316 Stainless Steel ASTM A351 CF8M	6 = 316L Stainless Steel ASTM A351 CF3M			
7	8	9	10	11	
BODY SEAL	END CONNECTIONS	VALVE SIZE	OPTIONS*	SPECIAL SERVICES*	
G = GRAFOIL (Standard)  T = PTFE	SE0 = Screwed Ends (FNPT)  SW0 = Socket Weld Ends  BW0 = Butt Weld Ends Schedule 40 wall (Standard)  AAA = Screwed End X Socket Weld End  AAB = Screwed End X Butt Weld (Sch-40) End  AAD = Screwed End X Butt Weld (Sch-10) End  Butt Weld Ends: BWA = Schedule 5 BWB = Schedule 10 BWC = Schedule 80	030 = 3"  040 = 4"	00 = None  SX = ISO Cast Stem Extension  SC = Secondary Containment  AG = ISO Cast Stem Extension & Locking Device	00 = None  XC = Oxygen Cleaned SF = Degreased (Silicone Free) UH = Vent/Relief Hole <sup>1</sup>  AE = Oxygen Cleaned & Vent Hole <sup>1</sup> AK = Degreased & Vent Hole <sup>1</sup>  <sup>1</sup> Vent Hole is on the Upstream Side	

Order Example: (FS706666AGSE00030000) The Part Number will contain 20 digits.

Ordering Code Sequence >>

Sample Part Number >>

	1	2	3	4	5	6	7	8	9	10	11
	FS70	6	6	6	6	A	G	SE0	030	00	00
Valve Series											
Body Material											
End Material											
Ball											
Stem											
Seat Material											
Seal Material											
End Connections											
Valve Size											
Options*											
Special Services*											

<sup>1</sup> Vent Hole is on the Upstream Side

Manual Valves are supplied with locking device. Anti-Static Device is part of the standard assembly of these Valves.

\*Not all Accessories/Options or Special Services available on all ball valves. Consult SVF for additional information.