



Scan the barcode with your Smart-Phone app and view the latest publication of this document

The SVF Series 41 Rev3 Flanged Ball Valves are high performance, standard port valves certified to API-607, API-608 and feature an ISO 5211 mounting pad for easy actuation. An OSHA compatible latch-lock handle comes standard, and a variety of seats and seals are available for a wide range of industrial applications.

SERIES 41 REV3 DESIGN FEATURES

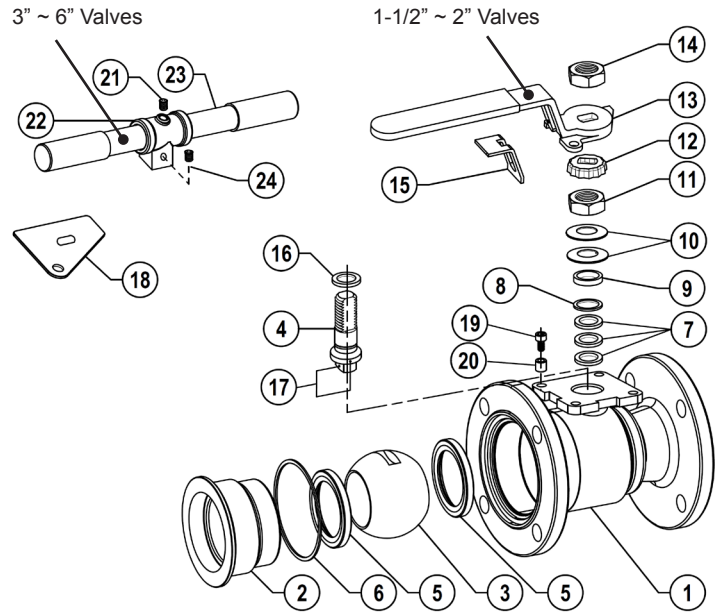
- ✓ Standard ported valves certified to API-607, Anti-Static
- ✓ Certified to API-608 to meet the additional design, operational and performance requirements of the Petroleum Refining, Petrochemical Processing and Chemical Processing Industries
- ✓ Standard NACE MR0175
- ✓ Live-loaded stem packing ensures seal-tight pressure containment even under thermal cycling
- ✓ Standard seat material is TFM1600™. Optional SupraLon™ Seats for higher temperature, steam, and thermal fluid applications
- ✓ ISO 5211 mounting pad for easy automation
- ✓ Compatible with a full range of actuators and accessories
- ✓ Latch lock handle fully compatible with OSHA clamp for Lock-Out/Tag-Out



The Series 41 Rev3 Flanged Ball Valve is available with additional options. Contact SVF for more information.

MATERIALS OF CONSTRUCTION

ITEM #	DESCRIPTION	MATERIALS SPECIFICATIONS (Additional Options available)
1	Body	A351-CF8M, A216 WCB
2	End Cap	A351-CF8M, A216-WCB
3	Ball	A351-CF8M
4	Stem	SUS316
5	Seats	TFM1600™, SupraLon™
6	Body Seal	GRAFOIL®, PTFE
7	Stem Seals	GRAFOIL®, PTFE
8	Bushing	SUS304
9	Gland	SUS316
10	Belleville Washers	SUS301
11	Stem Nut	A194-8
12	Tab Lock	SUS304
13	Handle (1-1/2" ~ 2")	A351-CF8M
14	Handle Nut	A194-8
15	Locking Device (1-1/2" ~ 2")	SUS304
16	Thrust Washer	SupraLon™
17	Anti-Static Device	SUS316
18	Triangular Stopper (3"~6")	SUS304
19	Stop Bolt	A193-B8
20	Stop Washer	SUS304
21	Adapter Set Screw (3"~6")	A193-B8
22	Pipe Handle Adapter (3"~6")	A351-CF8
23	Pipe Handle (3"~6")	SUS304
24	Pipe Handle Set Screw (3"~6")	A193-B8



SPECIFICATION STANDARDS OF COMPLIANCE

- Design - ASME B16.34, NACE MR 0175
- Face to Face: ASME B16.10
- End Flange: ASME B16.5
- Wall Thickness: ASME B16.34
- Inspection & Testing: API 598, and optional API 6D
- Fire Safe: API 607, ISO 10497

What do you need today?™

HIGH PURITY VALVES
CleanFLOW™

PRO-SPEC
PROCESS SPECIFIC
WWW.PRO-SPEC.NET

QUALITY FLOWS THROUGH US

Please visit www.SVF.net for the latest updates on this document. All data posted on our website supersede all prior publications • [Document #SVF_41Rev3_Data_Sheet • Series 41 Rev3 Data Sheet - 08/20/2014]

www.SVF.net

SVF Flow Controls, Inc. • 13560 Larwin Circle • Santa Fe Springs, CA 90670 • Tel: 1.800.783.7836 • FAX: 562.802.3114
Sales@SVF.net • Visit our website: www.SVF.net • © SVF Flow Controls, Inc. • Specifications subject to change without notice

ANSI Class 150, Standard Port, Sizes 1-1/2" ~ 6"

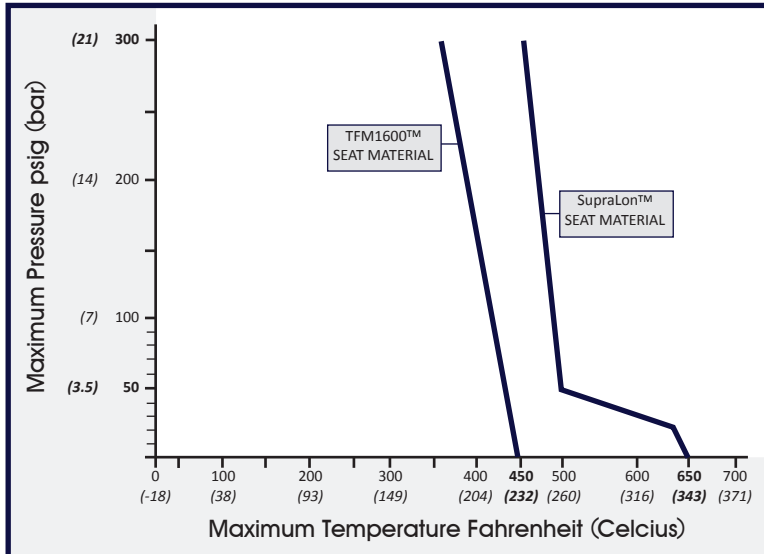
41
Rev3

DIMENSIONS, WEIGHT, CV, TORQUE

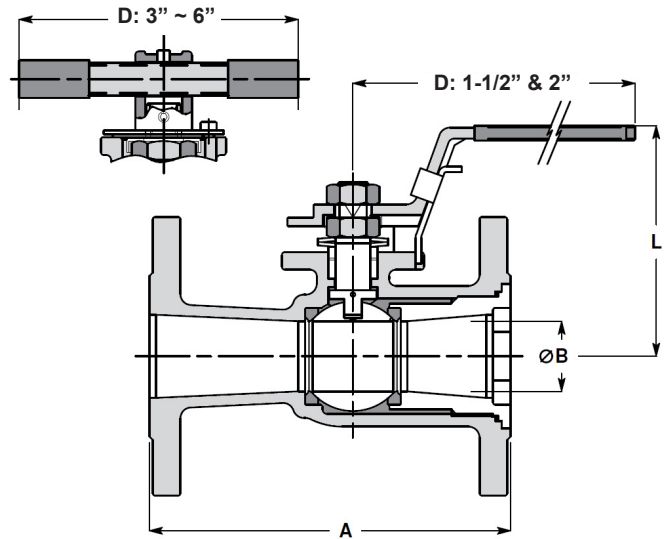
Torque Tables*

Size	A		B		D		L		Weight		Cv	TFM1600™		SupraLon™	
	in.	mm	in.	mm	in.	mm	in.	mm	lbs	kg		in-lbf	Nm	in-lbf	Nm
1-1/2"	6.50	165	1.26	32	7.87	200	4.13	105	10	4.6	130	208	24	254	29
2"	7.00	178	1.50	38	7.87	200	4.49	114	15	6.8	200	299	34	368	42
3"	8.00	203	2.37	60	11.81	300	5.59	142	31	14.2	450	598	68	728	82
4"	9.00	229	2.99	76	15.75	400	7.66	195	48	22.0	600	988	112	1209	137
6"	10.50	267	3.94	100	15.75	400	9.50	241	100	45	1100	1107	125	1416	160

41 REV3 - PRESSURE/TEMPERATURE CHART



* At full differential pressure



HOW TO ORDER SERIES 41 REV3 BALL VALVES

Please refer to the next page for our comprehensive How to Order Guide for Series 41Rev3 Ball Valves.

Flanged Ball Valve, ANSI Class 150, Standard Port, Sizes 1-1/2" ~ 6"

Ordering Code Sequence (Columns 1 thru 11)

1	2	3	4	5	6
SERIES	BODY	ENDS	BALL	STEM	SEAT MATERIAL
41C0 = Series 41Rev3	4 = Carbon Steel ASTM A216 WCB 6 = 316 Stainless Steel ASTM A351 CF8M	4 = Carbon Steel ASTM A216 WCB 6 = 316 Stainless Steel ASTM A351 CF8M	6 = 316 Stainless Steel ASTM A351 CF8M	6 = 316 Stainless Steel SUS 316	A = TFM1600™ S = SupraLon
7	8	9	10	11	
BODY SEAL	END CONNECTIONS	VALVE SIZE	OPTIONS*	SPECIAL SERVICES*	
G = GRAFOIL T = PTFE	RF1 = 150# Flanged Ends (Raised Face)	015 = 1-1/2" 020 = 2" 030 = 3" 040 = 4" 060 = 6"	00 = None SX = ISO Cast Stem Extension SJ = Steam Jacket AP = Steam Jacket & ISO Cast Stem Extension JV = Steam Jacket, ISO Cast Stem Extension & Spring Return Handle	00 = None XC = Oxygen Cleaned SF = Degreased (Silicone Free) UH = Vent/Relief Hole (Upstream Side) AS = Ammonia Service AE = Oxygen Cleaned & Vent Hole (Upspream Side) AK = Degreased & Vent Hole (Upspream Side)	

Order Example: (41C04466AGRF10200000) The Part Number will contain 20 digits.

Ordering Code Sequence >>

Sample Part Number >>

	1	2	3	4	5	6	7	8	9	10	11
	41C0	4	4	6	6	A	G	RF1	020	00	00
Valve Series	Body Material	End Material	Ball	Stem	Seat Material	Seal Material	End Connections	Valve Size	Options*	Special Services*	

NOTE:

Manual Valves are supplied with lockable lever handles. Anti-Static Device is part of the standard assembly of these Valves.

* Not all Options or Special Services available on all ball valves. Consult SVF for additional information.