

# Liquid & Electrical Feedthroughs - BNC Coaxial Feedthroughs



## BNC Coaxial Feedthroughs

MODEL NUMBER	FLANGE	NUMBER OF FEEDTHROUGHS	A	B	C
BNC-NW-16-1	NW-16	1	1.43	0.32	-
BNC-NW-25-1	NW-25	1	1.43	0.32	-
BNC-NW-40-1	NW-40	1	1.33	0.42	-
BNC-NW-40-2	NW-40	2	1.33	0.42	0.75
BNC-NW-40-3	NW-40	3	1.33	0.42	0.75
BNC-NW-40-4	NW-40	4	1.43	0.32	0.90
BNC-NW-50-1	NW-50	1	1.33	0.42	-
BNC-NW-50-2	NW-50	2	1.33	0.42	0.75
BNC-NW-50-3	NW-50	3	1.33	0.42	0.75
BNC-NW-50-4	NW-50	4	1.33	0.42	0.90
BNC-075-1	1.33 CF	1	1.41	0.34	-
BNC-150-1	2.75 CF	1	1.38	0.37	-
BNC-150-2	2.75 CF	2	1.38	0.37	0.95
BNC-150-3	2.75 CF	3	1.38	0.37	0.95
BNC-150-4	2.75 CF	4	1.38	0.37	0.95

### SPECIFICATIONS

#### Materials

Flange: 304 stainless steel  
 Conductors: Stainless steel  
 Insulator: Alumina ceramic

#### Electrical

Voltage: 500 VDC @10<sup>-4</sup> Torr  
 Current: 3 Amps

#### Connector:

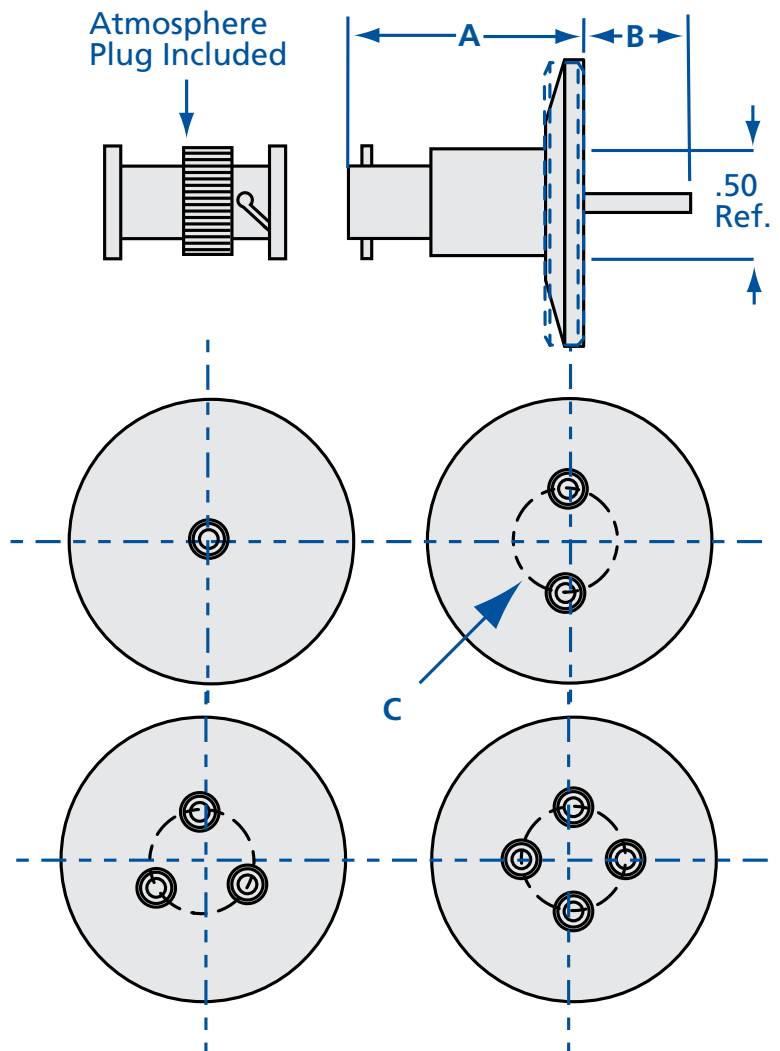
Use with vacuum connector  
 BNC-VC (see below), atmosphere connector included

#### Vacuum range

Metal seal: ≥10<sup>-10</sup> Torr - UHV  
 Elastomer seal: ≥10<sup>-8</sup> Torr - High vacuum

#### Temperature range

Metal seal: -270°C to 450°C  
 Elastomer seal: -20°C to 200°C



REV 6/16

