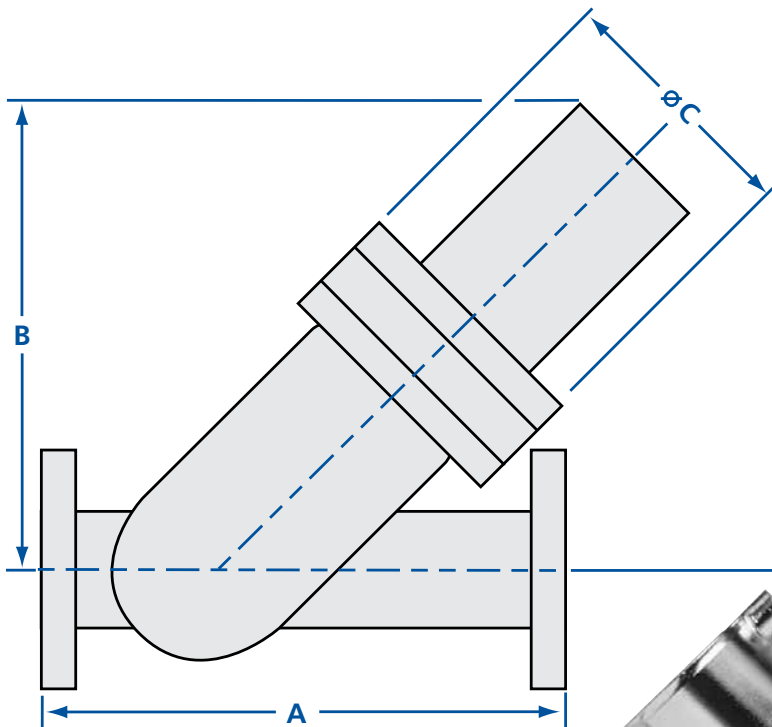


Isolation Valves - Pneumatic Viton Seal Straight-Through Valves



SPECIFICATIONS

Port ODs: $\frac{3}{4}$ to $1\frac{1}{2}$ inches

Materials

Body: Electropolished 304 stainless steel
 Bellows: Welded AM-350 stainless steel
 Bonnet seal: Viton
 Poppet seal: Viton
Other O-ring compounds available

Pneumatic actuation: Normally closed

$\frac{3}{4}$ inch ODs: Air-to-open, spring-to-close
 $1\frac{1}{8}$ to $1\frac{1}{2}$ inch ODs: Air-to-open, air-to-close

Operating pressure: 60 to 80 psig

Differential pressure

Maximum 20 psia across valve seat

Maximum temperature with Viton seals

Sustained: <150°C
 Intermittent: <204°C

Vacuum range

Viton bonnet seal: $>1 \times 10^{-9}$ Torr - High Vacuum

Options: Fittings, O-rings, air solenoids, micro-switches and actuators. *See page 99*

Thermal: Heater jackets and controllers available for all valves. *Call for details*



Pneumatic Viton Seal Straight-Through Valves

MODEL NUMBER	PORT ID	PORT OD	DESCRIPTION	A	B	C
STVP-075	0.65	$\frac{3}{4}$	No flanges	5.00	3.92	2.25
STVP-0752-CF	0.65	$\frac{3}{4}$	Rotatable 1.33 CF	6.00	3.92	2.25
STVP-0752-NWB	0.65	$\frac{3}{4}$	NW-16B	5.30	3.92	2.25
STVP-112	1.00	$1\frac{1}{8}$	No flanges	5.50	5.10	3.00
STVP-1122-CF	1.00	$1\frac{1}{8}$	Rotatable 2.12 CF	5.83	5.10	3.00
STVP-1122-NWB	1.00	$1\frac{1}{8}$	NW-40B	5.80	5.10	3.00
STVP-150	1.38	$1\frac{1}{2}$	No flanges	7.00	6.11	3.50
STVP-1502-CF	1.38	$1\frac{1}{2}$	Rotatable 2.75 CF	7.42	6.11	3.50
STVP-1502-NWB	1.38	$1\frac{1}{2}$	NW-40B	7.30	6.11	3.50

