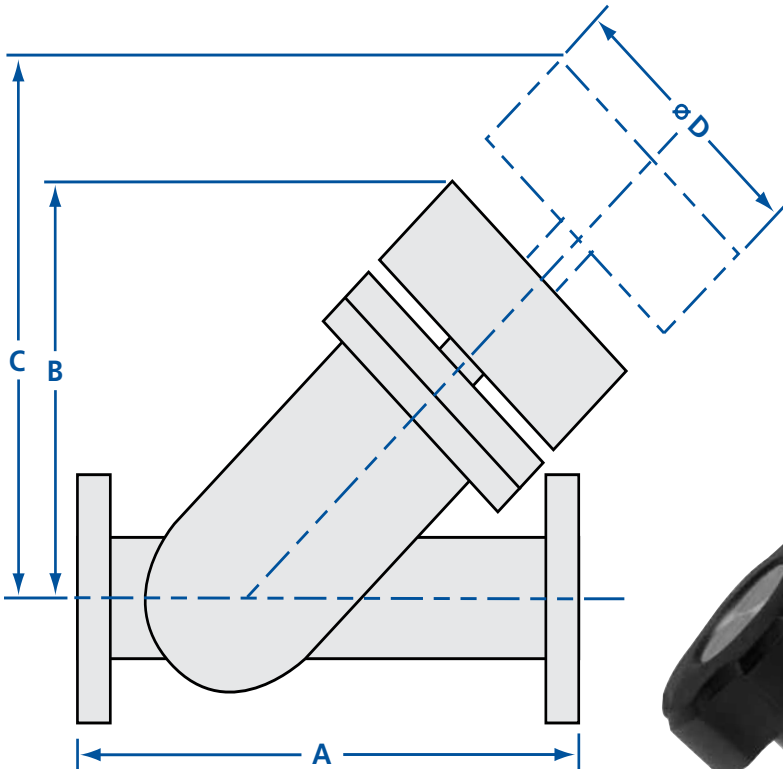


Isolation Valves - Manual Copper Seal Straight-Through Valves



SPECIFICATIONS

Port ODs: $\frac{3}{4}$ to $1\frac{1}{2}$ inches

Materials

Body: Electropolished 304 stainless steel
Bellows: Welded AM-350 stainless steel
Bonnet seal: Copper
Poppet seal: Viton
Other O-ring compounds available

Manual actuation: Self-lubricating bronze nuts with ACME threads

Differential pressure

Maximum 20 psia across valve seat

Vacuum range

Copper bonnet seal: $>1 \times 10^{-10}$ Torr - UHV

Options: Fittings, O-rings, air solenoids, micro-switches and actuators.

Thermal: Heater jackets and controllers available for all valves. *Call for details*



Manual Copper Seal Bonnet Straight-Through Valves

MODEL NUMBER	PORT ID	PORT OD	DESCRIPTION	A	B	C	D
CSTV-075	0.65	$\frac{3}{4}$	No flanges	5.00	3.51	4.71	2.73
CSTV-0752-CF	0.65	$\frac{3}{4}$	Rotatable 1.33 CF	6.00	3.51	4.71	2.73
CSTV-150	1.38	$1\frac{1}{2}$	No flanges	7.00	5.47	7.69	4.05
CSTV-1502-CF	1.38	$1\frac{1}{2}$	Rotatable 2.75 CF	7.42	5.47	7.69	4.05

REV 6/16

