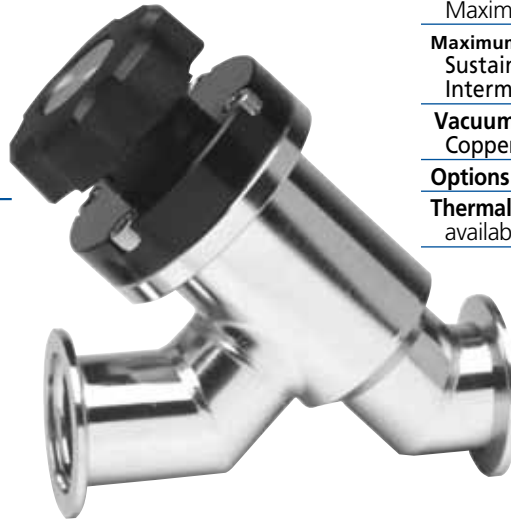
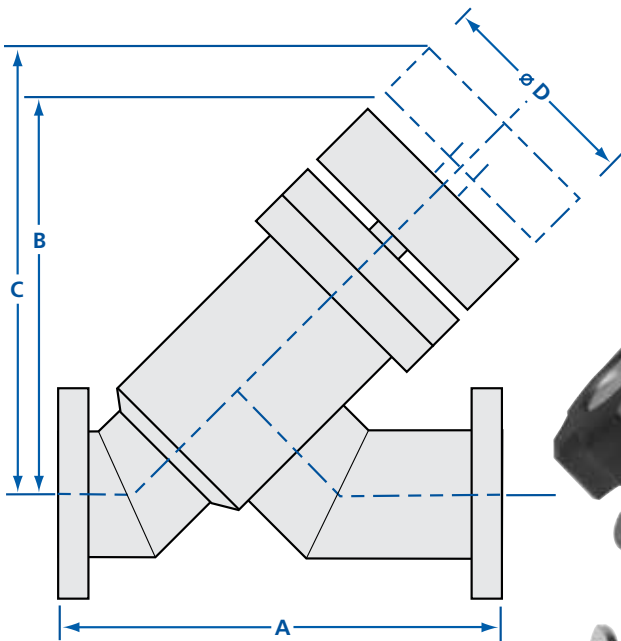


# Isolation Valves - Manual Copper Seal Angle In-Line Valves



## SPECIFICATIONS

**Port ODs:**  $\frac{3}{8}$  to 3 inches

### Materials

Body: Electropolished 304 stainless steel  
 Bellows: Welded AM-350 stainless steel  
 Bonnet seal: Copper  
 Poppet seal: Viton  
*Other O-ring compounds available*

**Actuation:** Self-lubricating bronze nuts with ACME threads

### Differential pressure

Maximum 20 psia across valve seat

### Maximum temperature with Viton seals

Sustained:  $\leq 150^{\circ}\text{C}$   
 Intermittent:  $\leq 204^{\circ}\text{C}$

### Vacuum range

Copper bonnet seal:  $\geq 1 \times 10^{-10}$  Torr - UHV

**Options:** Fittings and O-rings. See page 99

**Thermal:** Heater jackets and controllers available for all valves. Call for details

## Manual Copper Seal Bonnet Angle-In-Line Valves

MODEL NUMBER	PORT OD	DESCRIPTION	A	B	C	D
CAIV-075	$\frac{3}{4}$	No flanges	3.70	3.47	4.01	2.73
CAIV-0752-CF	$\frac{3}{4}$	Rotatable 1.33 CF	4.70	3.47	4.01	2.73
CAIV-100	1	No flanges	3.90	3.42	4.14	2.73
CAIV-1002-CF	1	Rotatable 2.12 CF	4.48	3.42	4.14	2.73
CAIV-150	$1\frac{1}{2}$	No flanges	4.82	4.55	5.61	3.25
CAIV-1502-CF	$1\frac{1}{2}$	Rotatable 2.75 CF	5.24	4.55	5.61	3.25
CAIV-200	2	No flanges	6.70	6.19	9.15	4.05
CAIV-2002-CF	2	Rotatable 3.38 CF	7.15	6.19	9.15	4.05
CAIV-250	$2\frac{1}{2}$	No flanges	7.75	6.99	10.31	4.61
CAIV-2502-CF	$2\frac{1}{2}$	Rotatable 4.50 CF	8.50	6.99	10.31	4.61
CAIV-300	3	No flanges	10.05	7.71	11.38	5.62
CAIV-3002-CF	3	Rotatable 4.62 CF	10.61	7.71	11.38	5.62

REV 6/16

