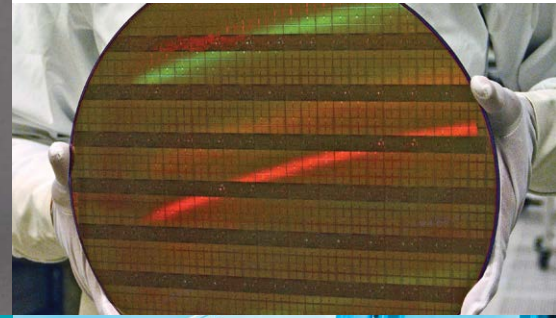




FURON[®]
Pure Performance



Furon[®] UPRM Pressure Regulator

Manually Actuated, (1/2" Orifice)

Description

Furon[®] UPRM Pressure Regulators are engineered to accurately maintain predetermined output pressures in fluid lines. By adjusting the ergonomically-designed knob, the end user can control the desired fluid output pressure. Our regulator contains no exposed metallic parts. A modified PTFE isolation diaphragm protects the actuator components from the process media, assuring no possibility of contamination from metal elements. Manual UPRM Pressure Regulators come standard with a panel mount option, allowing easy installation on an instrumentation or control panel. Constructed from 100% high-purity PFA and PTFE wetted parts, Furon[®] UPRM Pressure Regulators are suitable for use in ultrapure, harsh, or aggressive chemicals commonly found in the Semiconductor industry, or any other applications requiring high purity and/or high chemical resistance.

Applications

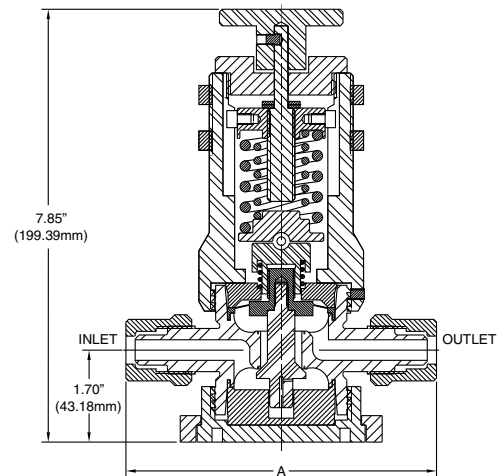
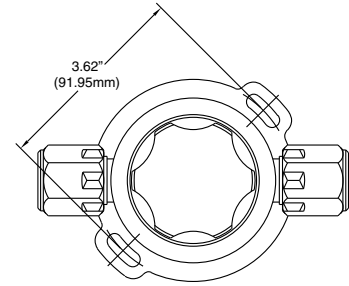
- Regulation of pressures in aggressive or ultrapure chemical or DI water lines
- Protecting sensitive instrumentation from pressure spikes
- Preventing foreign particles from being forced through filtration membranes due to unstable pressures

Features and Benefits

- Mechanical design maintains predetermined output pressure
- Handles fluid temperatures up to 194° F (90° C)
- All fluoropolymer wetted surfaces
- Non-contaminating fluoropolymer coated spring
- Non-metallic external surfaces
- Integral leak port detection
- Panel mount feature standard

Furon® UPRM Pressure Regulator

Part Number	Pressure Regulation Range	End Connection	Orifice (in.)	Port Size (in.)	A (in.)
UPRM-144-30-M	15 - 40 PSIG (1 - 2.8 bar)	FNPT	1/4	1/4	3.60 (91.44 mm)
UPRM-188-30-M	15 - 40 PSIG (1 - 2.8 bar)	FNPT	1/2	1/2	5.80 (147.3 mm)
UPRM-244-30-M	15 - 40 PSIG (1 - 2.8 bar)	Grab Seal™	1/4	1/4	4.30 (109.2 mm)
UPRM-288-30-M	15 - 40 PSIG (1 - 2.8 bar)	Grab Seal™	1/2	1/2	5.12 (130.1 mm)
UPRM-744-30-M	15 - 40 PSIG (1 - 2.8 bar)	FuseBond™	1/4	1/4	4.90 (124.5 mm)
UPRM-788-30-M	15 - 40 PSIG (1 - 2.8 bar)	FuseBond™	1/2	1/2	5.80 (147.3 mm)
UPRM-F44-30-M	15 - 40 PSIG (1 - 2.8 bar)	FlareGrip® II	1/4	1/4	4.30 (109.2 mm)
UPRM-F46-30-M	15 - 40 PSIG (1 - 2.8 bar)	FlareGrip® II	1/4	3/8	4.60 (116.8 mm)
UPRM-F88-30-M	15 - 40 PSIG (1 - 2.8 bar)	FlareGrip® II	1/2	1/2	5.82 (147.8 mm)
UPRM-F88-30-M	15 - 40 PSIG (1 - 2.8 bar)	FlareGrip® II	1/2	1/2	5.82 (147.8 mm)
UPRM-F812-30-M	15 - 40 PSIG (1 - 2.8 bar)	FlareGrip® II	1/2	3/4	5.88 (149.4 mm)
UPRM-144-60-M	15 - 100 PSIG (1 - 6.8 bar)	FNPT	1/4	1/4	3.60 (91.44 mm)
UPRM-188-60-M	15 - 100 PSIG (1 - 6.8 bar)	FNPT	1/2	1/2	5.80 (147.3 mm)
UPRM-244-60-M	15 - 100 PSIG (1 - 6.8 bar)	Grab Seal™	1/4	1/4	4.30 (109.2 mm)
UPRM-288-60-M	15 - 100 PSIG (1 - 6.8 bar)	Grab Seal™	1/2	1/2	5.12 (130.1 mm)
UPRM-744-60-M	15 - 100 PSIG (1 - 6.8 bar)	FuseBond™	1/4	1/4	4.90 (124.5 mm)
UPRM-788-60-M	15 - 100 PSIG (1 - 6.8 bar)	FuseBond™	1/2	1/2	5.80 (147.3 mm)
UPRM-F44-60-M	15 - 100 PSIG (1 - 6.8 bar)	FlareGrip® II	1/4	1/4	4.30 (109.2 mm)
UPRM-F46-60-M	15 - 100 PSIG (1 - 6.8 bar)	FlareGrip® II	1/4	3/8	4.60 (116.8 mm)
UPRM-F88-60-M	15 - 100 PSIG (1 - 6.8 bar)	FlareGrip® II	1/2	1/2	5.82 (147.8 mm)
UPRM-F88-60-M	15 - 100 PSIG (1 - 6.8 bar)	FlareGrip® II	1/2	1/2	5.82 (147.8 mm)
UPRM-F812-60-M	15 - 100 PSIG (1 - 6.8 bar)	FlareGrip® II	1/2	3/4	5.88 (149.4 mm)



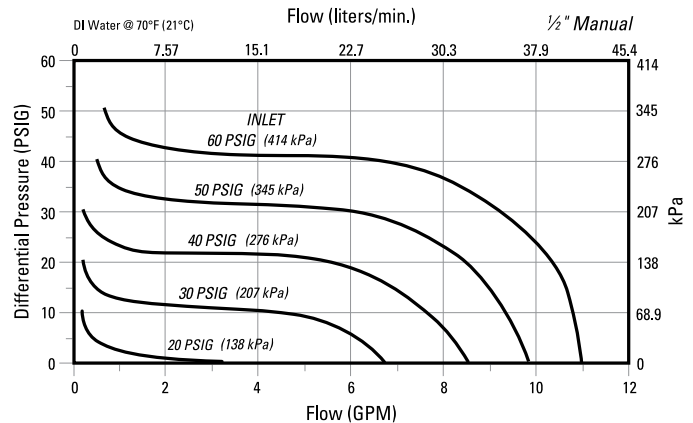
Operating Specifications

Max. Operating Pressure	120 psig (8.3 bar)
Max. Operating Temperature	194° F (90° C)
Pressure Regulation Range	See Ordering Information Table
Flow Factor	Cv 3.2 (with 1/2" flare connections)
Body	PTFE
Diaphragm	Modified PTFE
Top Cap	Polypropylene

Standard Options

- Other end connection types available:
 - Nippon Pillar Super 300®
 - Tube Ends
 - Others not listed

Pressure vs Flow **



** Calculated performance data. Data shown are for reference only. Actual data may vary depending on conditions such as length of tubing, size of tubing, back pressure, etc.



Saint-Gobain Performance Plastics
 7301 Orangewood Avenue
 Garden Grove, CA 92841
 1-800-833-5661
 Tel: (714) 630-5818
 Fax: (714) 688-2614

www.processsystems.saint-gobain.com

NOTE: The data and details given in this document are correct and up to date. This document is intended to provide information about the product and possible applications. This document is not the product specification and does not provide specific features, nor does it guarantee product performance in specific applications. Saint-Gobain cannot anticipate or control the conditions of the field and for this reason strongly recommends that practical tests are conducted to ensure that the product meets the requirements of a specific application.

Furon®, FlareGrip® and Nippon Pillar Super 300® are registered trademarks. FuseBond™ and Grab Seal™ are trademarks.