

Furon[®] Large Check Valve

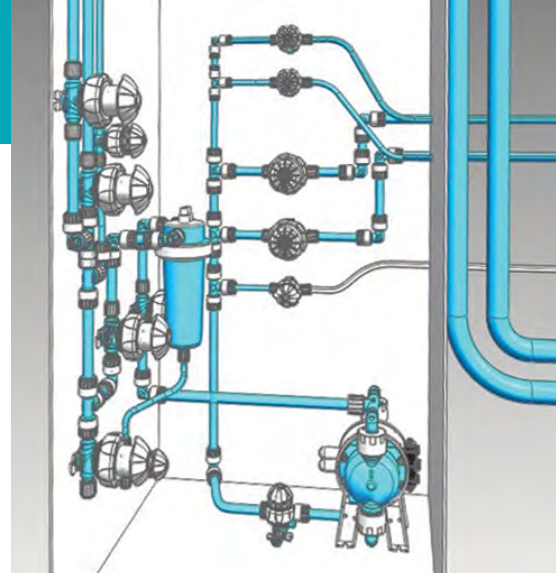
Media Actuated Molded, (1/2" & 3/4" Orifice)

Description

Furon[®] Large Check Valves are injection molded high-purity valves which allow fluids to pass in only one direction, preventing back flow. Available in 1/2" and 3/4" orifice sizes, our Large Check Valves feature 100% metal-free and elastomer-free construction and high purity PFA wetted flow path. Compact design allows for easy inline installation. Furon[®] Large-Check Valves are engineered for use in fluid temperatures up to 250 °F (121 °C) and operating pressures up to 120 PSIG (8.3 bar).

Applications

- To prevent drain-down of chemical delivery lines
- To prevent backflow in process delivery manifolds
- Transfer of aggressive or ultrapure chemicals commonly used in the Semiconductor and Chemical Processing industries
- Suitable for use in abrasive slurry



Features and Benefits

- 100% high-purity PFA construction
- Metal and O-Ring free design
- <1 PSIG (0.07 bar) cracking pressure
- Zero dead volume body seal with no wetted thread areas
- 250° F (121° C) maximum temperature rating
- High-purity PFA spring

Furon® Large Check Valve

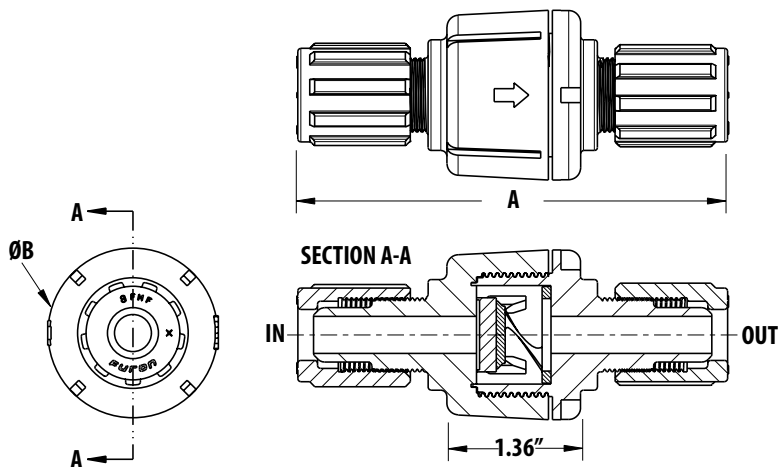
Description	End Connection	Orifice (in.)	Port Size (in.)	A (in.)	B (in.)
LCVMF-88	FlareGrip® II	1/2	1/2	4.40" (111.76 mm)	1.72" (43.69 mm)
LCVMF-1212	FlareGrip® II	3/4	3/4	4.60" (116.84 mm)	2.20" (55.88 mm)
LCVMF-1216	FlareGrip® II	3/4	1	4.70" (119.38 mm)	2.20" (55.88 mm)
LCVM7-88	FuseBond™	1/2	1/2	4.35" (110.49 mm)	1.72" (43.69 mm)
LCVM7-1212	FuseBond™	3/4	3/4	4.20" (106.68 mm)	2.20" (55.88 mm)
LCVM7-1216	FuseBond™	3/4	1	4.20" (106.68 mm)	2.20" (55.88 mm)

Ordering & Technical Specifications

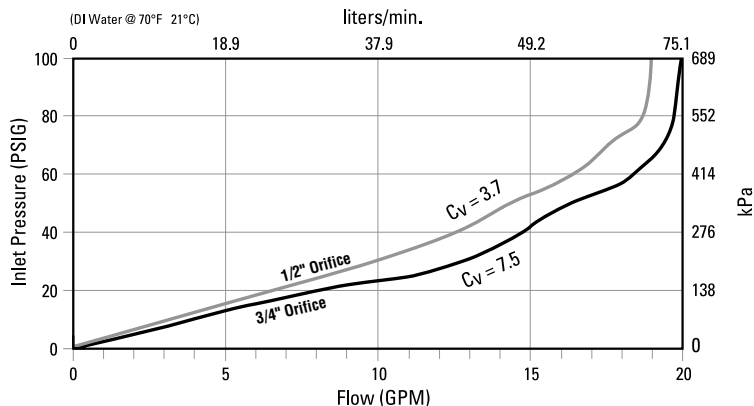
Operating Pressure	150 psig (10.3 bar)
Back Pressure	150 psig (10.3 bar)
Cracking Pressure	<1 psig (0.07 bar)
C _v Flow Factor	3.7 – 7.5
Max. Operating Temperature	250°F (121°C)
Body	PFA
Spring	PFA

Standard Options

- Other end connections not listed. Contact factory for details.
- Add a -3 for PFA nut on Flare configuration



Inlet Pressure vs Flow**



Saint-Gobain Performance Plastics

7301 Orangewood Avenue
Garden Grove, CA 92841

1-800-833-5661
Tel: (714) 630-5818
Fax: (714) 688-2614

www.processsystems.saint-gobain.com

NOTE: The data and details given in this document are correct and up to date. This document is intended to provide information about the product and possible applications. This document is not the product specification and does not provide specific features, nor does it guarantee product performance in specific applications. Saint-Gobain cannot anticipate or control the conditions of the field and for this reason strongly recommends that practical tests are conducted to ensure that the product meets the requirements of a specific application.

Furon®, FlareGrip® and Nippon Pillar Super 300® are registered trademarks.
FuseBond™ is a trademark.