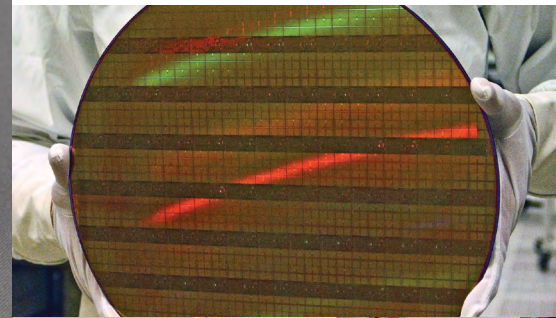




FURON®
Pure Performance



Furon® CDV-1000 Valve

Manual Toggle Actuated, 2-Way (1/2" Orifice)

Description

Manual Toggle Actuated 2-Way diaphragm valve for precise on/off control.

Furon® CDV-1000 valves are engineered to handle the most aggressive and corrosive ultra-high purity media while maintaining the highest level of media purity. Featuring a compact footprint with common port height among all configurations, Furon® CDV-1000 valves allow for ease of installation and optimum use of precious space. Additionally, Furon® CDV-1000 valves feature flow paths specially designed to minimize entrapment of liquids within the valve.

Applications

Furon® CDV-1000 Valves are ideal for use in the semiconductor industry, or other applications requiring high purity and/or superior chemical resistance.

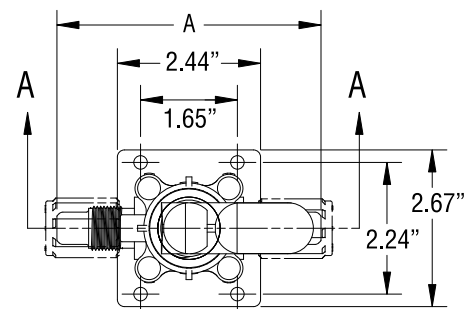
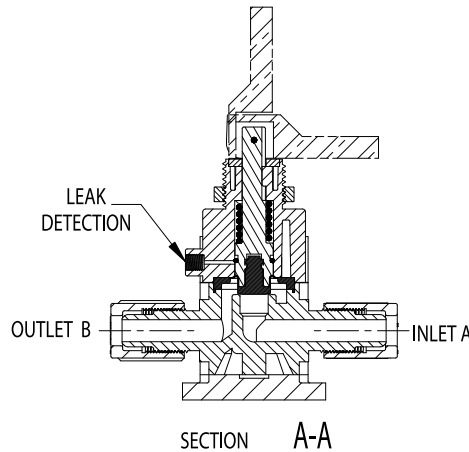
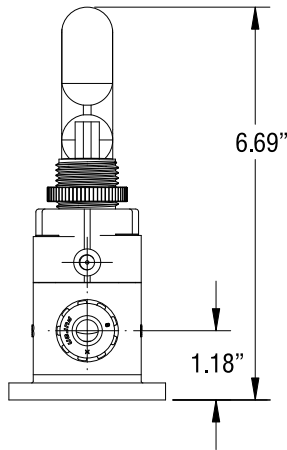
- Designed for use in ultrapure deionized water and aggressive chemical applications
- Suitable for use in abrasive slurry
- Market applications include Semiconductor, Flat Panel, Photovoltaic and Chemical Processing

Features and Benefits

- Injection molded, ultra high-purity, PFA-wetted flow path with virgin PTFE diaphragm
- Panel mount option standard
- High back-pressure capability
- Patented diaphragm technology
- Uniform modular design ideally suited for customized manifold configurations
- Suitable for high back-pressure applications

Furon® CDV-1000 Valve

Part Number	End Connection	Orifice (in.)	Port Size (in.)	A
CDV2-F88-TG	FlareGrip® II	1/2	1/2	4.9" (124.5 mm)
CDV2-F812-TG	FlareGrip® II	1/2	3/4	4.9" (124.5 mm)
CDV2-788-TG	FuseBond™	1/2	1/2	4.9" (124.5 mm)
CDV2-7812-TG	FuseBond™	1/2	3/4	4.9" (124.5 mm)
CDV2-S30088-TG	Super 300®	1/2	1/2	4.9" (124.5 mm)
CDV2-S300812-TG	Super 300®	1/2	3/4	4.9" (124.5 mm)



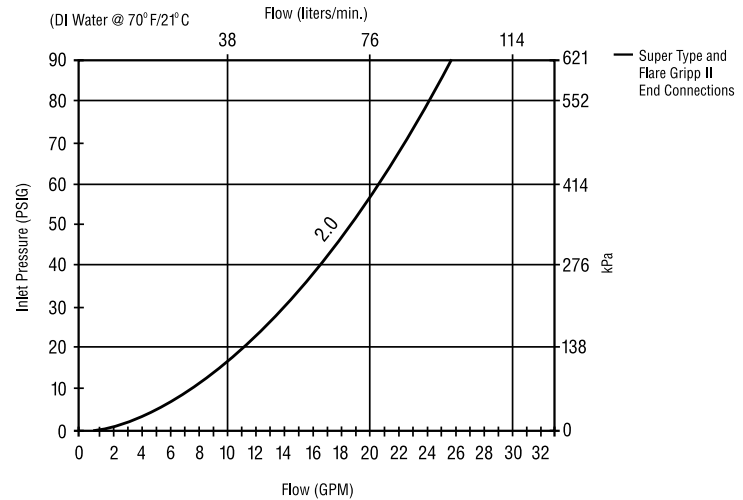
Ordering & Technical Specifications

Operating Pressure	90 psig (6.2 bar)
Back Pressure	90 psig (6.2 bar)
Flow	C _v 3.0
Operating Temperature	182°F (82°C)
Body	Virgin PTFE
Diaphragm	Modified PTFE
Actuator Housing	Polypropylene

Standard Options

- PFA Flare nuts (add -3)
- Other end connection types available:
 - FNPT
 - Pipe
 - Tube End
 - Others not listed
- Custom manifolds

Inlet Pressure vs. Flow



Saint-Gobain Performance Plastics

7301 Orangewood Avenue
Garden Grove, CA 92841

1-800-833-5661
Tel: (714) 630-5818
Fax: (714) 688-2614

www.processsystems.saint-gobain.com

NOTE: The data and details given in this document are correct and up to date. This document is intended to provide information about the product and possible applications. This document is not the product specification and does not provide specific features, nor does it guarantee product performance in specific applications. Saint-Gobain cannot anticipate or control the conditions of the field and for this reason strongly recommends that practical tests are conducted to ensure that the product meets the requirements of a specific application.

Furon®, FlareGrip® and Nippon Pillar Super 300® are registered trademarks.
FuseBond™ is a trademark.