

Flanges & Fittings - Weld Fittings

90° Radius Elbows



SPECIFICATIONS

Tube OD sizes: 1/2 to 10 inches

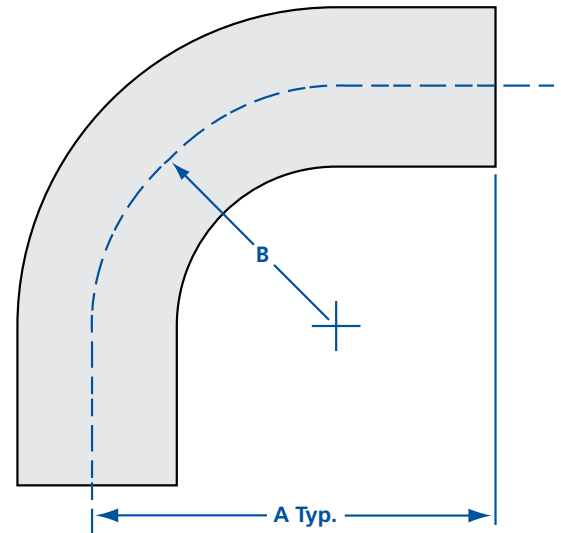
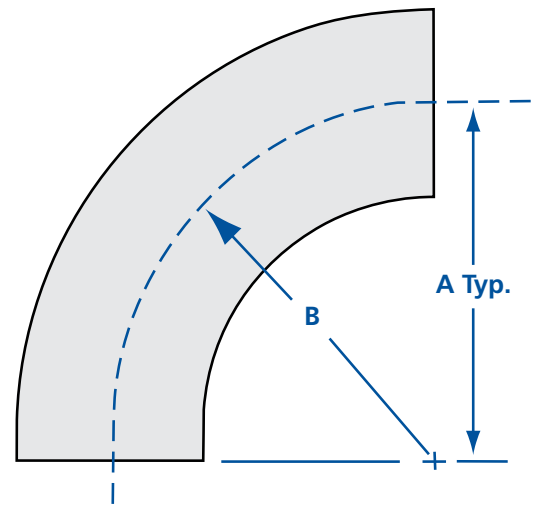
Materials: 304 stainless steel
(316L available upon request)

Vacuum range: $\geq 1 \times 10^{-13}$ Torr

Temperature range: -200° to 450°C

90° Radius Elbows

| MODEL NUMBER | TUBE OD | WALL THICKNESS | A | B | 316L | TANGENT |
|-----------------|---------|----------------|-------|-------|------|---------|
| G-2WC-050 | 1/2 | 0.049 | 0.75 | 0.75 | | |
| G-2WC-075 | 3/4 | 0.035 | 1.00 | 1.00 | | |
| G-2WC-075H | 3/4 | 0.035 | 1.42 | 1.00 | | ✓ |
| G-2WC-100 | 1 | 0.065 | 1.50 | 1.50 | | |
| G-2WC-100-316L | 1 | 0.065 | 1.50 | 1.50 | ✓ | |
| G-2WC-100H | 1 | 0.065 | 1.82 | 1.50 | | ✓ |
| G-2WC-100HW | 1 | 0.065 | 2.06 | 1.50 | | ✓ |
| G-2WC-100H-316L | 1 | 0.065 | 1.82 | 1.50 | ✓ | ✓ |
| G-2WC-150 | 1 1/2 | 0.065 | 2.25 | 2.25 | | |
| G-2WC-150-316L | 1 1/2 | 0.065 | 2.25 | 2.25 | ✓ | |
| G-2WC-150H | 1 1/2 | 0.065 | 2.41 | 2.25 | | ✓ |
| G-2WC-150HW | 1 1/2 | 0.065 | 2.94 | 2.25 | | ✓ |
| G-2WC-150HL | 1 1/2 | 0.065 | 4.97 | 2.25 | | ✓ |
| G-2WC-150H-316L | 1 1/2 | 0.065 | 2.41 | 2.25 | ✓ | ✓ |
| G-2WC-200 | 2 | 0.065 | 3.00 | 3.00 | | |
| G-2WC-200-316L | 2 | 0.065 | 3.00 | 3.00 | ✓ | |
| G-2WC-200H | 2 | 0.065 | 4.06 | 3.00 | | ✓ |
| G-2WC-200HL | 2 | 0.065 | 5.36 | 3.00 | | ✓ |
| G-2WC-200H-316L | 2 | 0.065 | 4.06 | 3.00 | ✓ | ✓ |
| G-2WC-250 | 2 1/2 | 0.065 | 3.75 | 3.75 | | |
| G-2WC-250-316L | 2 1/2 | 0.065 | 3.75 | 3.75 | ✓ | |
| G-2WC-250H | 2 1/2 | 0.065 | 5.19 | 3.75 | | ✓ |
| G-2WC-300 | 3 | 0.065 | 4.50 | 4.50 | | |
| G-2WC-300-316L | 3 | 0.065 | 4.50 | 4.50 | ✓ | |
| G-2WC-300H | 3 | 0.065 | 6.31 | 4.50 | | ✓ |
| G-2WC-400 | 4 | 0.083 | 6.00 | 6.00 | | |
| G-2WC-400-316L | 4 | 0.083 | 6.00 | 6.00 | ✓ | |
| G-2WC-400H | 4 | 0.083 | 8.31 | 6.00 | | ✓ |
| G-2WC-600 | 6 | .109 - .134 | 9.00 | 9.00 | | |
| G-2WC-600-B | 6 | .109 - .134 | 9.00 | 9.00 | | |
| G-2WC-600-HW | 6 | .109 - .134 | 11.38 | 9.00 | | ✓ |
| G-2WC-800-B | 8 | .109 - .134 | 12.00 | 12.00 | | |
| G-2WC-1000-B | 10 | .109 - .134 | 15.00 | 15.00 | | |



REV 6/16

