

# Flanges & Fittings - Weld Fittings

## 90° Radius Elbows



### SPECIFICATIONS

**Tube OD sizes:** 1/2 to 10 inches

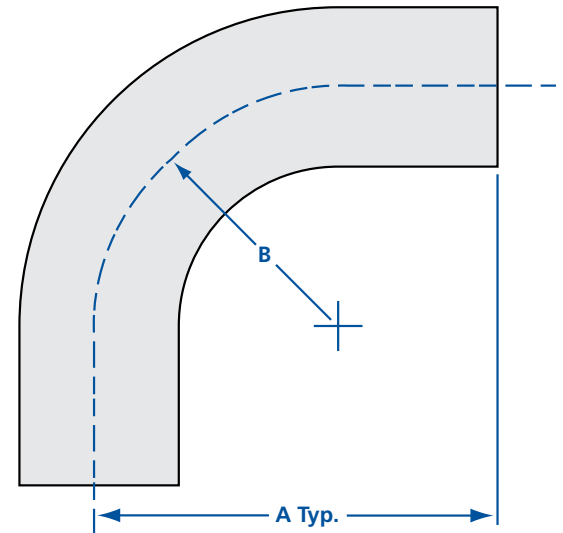
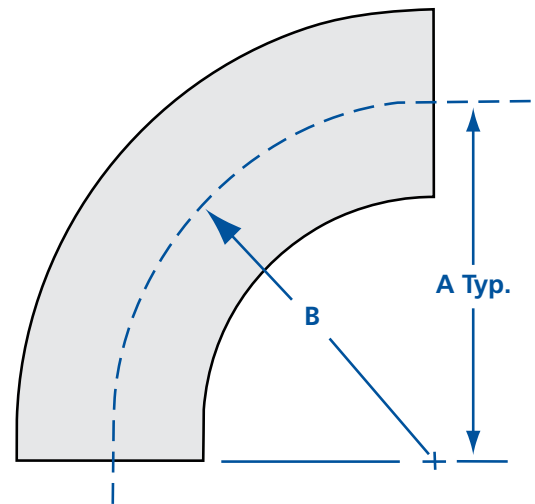
**Materials:** 304 stainless steel  
(316L available upon request)

**Vacuum range:**  $\geq 1 \times 10^{-13}$  Torr

**Temperature range:** -200° to 450°C

### 90° Radius Elbows

MODEL NUMBER	TUBE OD	WALL THICKNESS	A	B	316L	TANGENT
G-2WC-050	1/2	0.049	0.75	0.75		
G-2WC-075	3/4	0.035	1.00	1.00		
G-2WC-075H	3/4	0.035	1.42	1.00		✓
G-2WC-100	1	0.065	1.50	1.50		
G-2WC-100-316L	1	0.065	1.50	1.50	✓	
G-2WC-100H	1	0.065	1.82	1.50		✓
G-2WC-100HW	1	0.065	2.06	1.50		✓
G-2WC-100H-316L	1	0.065	1.82	1.50	✓	✓
G-2WC-150	1 1/2	0.065	2.25	2.25		
G-2WC-150-316L	1 1/2	0.065	2.25	2.25	✓	
G-2WC-150H	1 1/2	0.065	2.41	2.25		✓
G-2WC-150HW	1 1/2	0.065	2.94	2.25		✓
G-2WC-150HL	1 1/2	0.065	4.97	2.25		✓
G-2WC-150H-316L	1 1/2	0.065	2.41	2.25	✓	✓
G-2WC-200	2	0.065	3.00	3.00		
G-2WC-200-316L	2	0.065	3.00	3.00	✓	
G-2WC-200H	2	0.065	4.06	3.00		✓
G-2WC-200HL	2	0.065	5.36	3.00		✓
G-2WC-200H-316L	2	0.065	4.06	3.00	✓	✓
G-2WC-250	2 1/2	0.065	3.75	3.75		
G-2WC-250-316L	2 1/2	0.065	3.75	3.75	✓	
G-2WC-250H	2 1/2	0.065	5.19	3.75		✓
G-2WC-300	3	0.065	4.50	4.50		
G-2WC-300-316L	3	0.065	4.50	4.50	✓	
G-2WC-300H	3	0.065	6.31	4.50		✓
G-2WC-400	4	0.083	6.00	6.00		
G-2WC-400-316L	4	0.083	6.00	6.00	✓	
G-2WC-400H	4	0.083	8.31	6.00		✓
G-2WC-600	6	.109 - .134	9.00	9.00		
G-2WC-600-B	6	.109 - .134	9.00	9.00		
G-2WC-600-HW	6	.109 - .134	11.38	9.00		✓
G-2WC-800-B	8	.109 - .134	12.00	12.00		
G-2WC-1000-B	10	.109 - .134	15.00	15.00		



REV 6/16

