

Flanges & Fittings - Weld Fittings

5-Way & 6-Way Crosses



5-Way Crosses

MODEL NUMBER	TUBE OD	WALL THICKNESS	A
G-10W-075	$\frac{3}{4}$	0.035	1.00
G-10W-100	1	0.065	1.88
G-10W-150	$1\frac{1}{2}$	0.065	2.25
G-10W-200	2	0.065	3.00
G-10W-250	$2\frac{1}{2}$	0.065	3.00
G-10W-250V	$2\frac{1}{2}$	0.065	3.75
G-10W-300-B	3	0.065	3.25
G-10W-400-B	4	0.083	3.88
G-10W-400V-B	4	0.083	4.87
G-10W-500-B	5	0.083	4.25
G-10W-600-B	6	0.083	5.00
G-10W-600V-B	6	0.083	6.06
G-10W-800-B	8	0.120	7.00
G-10W-1000-B	10	0.120	9.50

6-Way Crosses

MODEL NUMBER	TUBE OD	WALL THICKNESS	A
G-11W-075	$\frac{3}{4}$	0.035	1.00
G-11W-100	1	0.065	1.88
G-11W-150	$1\frac{1}{2}$	0.065	2.25
G-11W-200	2	0.065	3.00
G-11W-250	$2\frac{1}{2}$	0.065	3.00
G-11W-250V	$2\frac{1}{2}$	0.065	3.75
G-11W-300-B	3	0.065	3.25
G-11W-400-B	4	0.083	3.88
G-11W-400V-B	4	0.083	4.87
G-11W-500-B	5	0.083	4.25
G-11W-600-B	6	0.083	5.00
G-11W-600V-B	6	0.083	6.06
G-11W-800-B	8	0.120	7.00
G-11W-1000-B	10	0.120	9.50

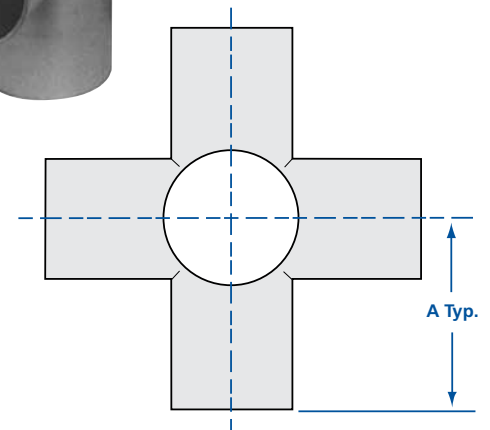
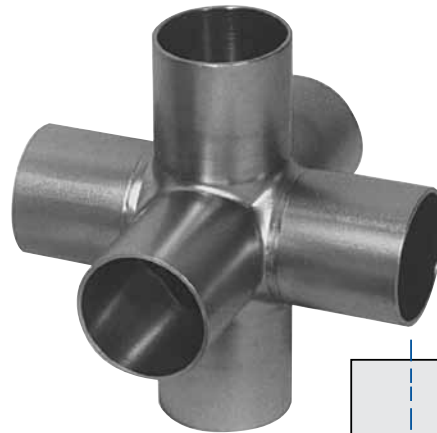
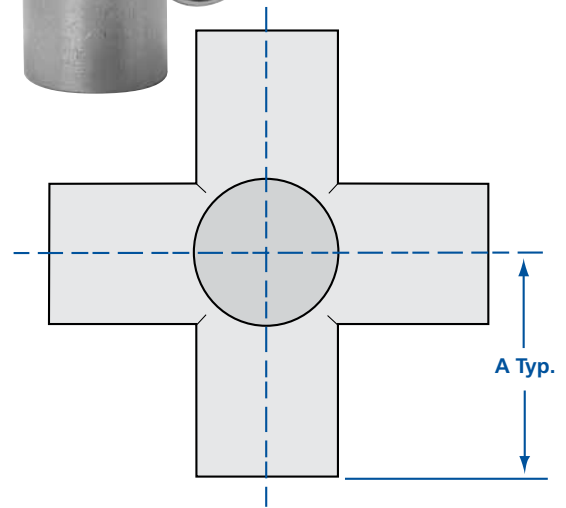
SPECIFICATIONS

Tube OD sizes: $\frac{1}{2}$ to 10 inches

Materials: 304 stainless steel
(316L available upon request)

Vacuum range: $\geq 1 \times 10^{-13}$ Torr

Temperature range: -200° to 450°C



REV 6/16

