

Flanges & Fittings - NW Tees & Crosses



SPECIFICATIONS

Tube OD sizes: 1/2 to 2 inches

Materials

Flange: 304 stainless steel
(316L available upon request)
O-rings: Viton, Buna & silicone

Fittings

Tube finishes: Beadblast standard
(Tumbled & electropolish available)

Fasteners: Wingnut, SureSeal, bulkhead & EVAC clamps

Vacuum range

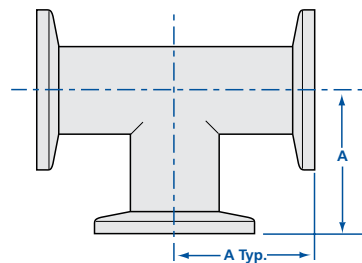
Elastomer seal: $\geq 1 \times 10^{-8}$ Torr -High vacuum
EVAC metal seal: $\geq 1 \times 10^{-11}$ Torr - UHV

Temperature range

Viton: -20°C to 200°C
Silicone: -50° to 230°C
Buna: -30°C to 110°C
EVAC metal seal: -270°C to 150°C

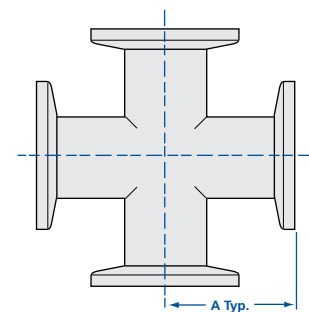
NW Tees

MODEL NUMBER	TUBE OD	A
3T-NW-10	1/2	1.25
3T-NW-16B	3/4	1.15
3T-NW-25B	1	2.03
3T-NW-40B	1 1/2	2.40
3T-NW-40H	1 1/2	2.56
3T-NW-50B	2	3.15
3T-NW-50H	2	2.76



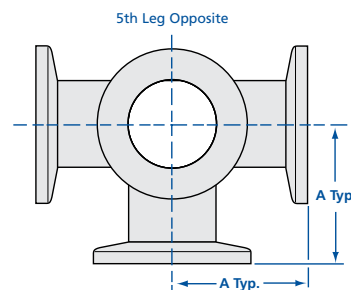
NW 4-Way Crosses

MODEL NUMBER	TUBE OD	A
4C-NW-10	1/2	1.25
4C-NW-16B	3/4	1.15
4C-NW-25B	1	2.03
4C-NW-40B	1 1/2	2.40
4C-NW-40H	1 1/2	2.56
4C-NW-50B	2	3.15
4C-NW-50H	2	2.76



NW 5-Way Crosses

MODEL NUMBER	TUBE OD	A
5C-NW-16	3/4	1.50
5C-NW-25B	1	2.03
5C-NW-40B	1 1/2	2.40
5C-NW-50B	2	3.15



NW 6-Way Crosses

MODEL NUMBER	TUBE OD	A
6C-NW-16	3/4	1.50
6C-NW-25B	1	2.03
6C-NW-40B	1 1/2	2.40
6C-NW-50B	2	3.15

