

Flanges & Fittings - NW Reducer Tees & Crosses



SPECIFICATIONS

Tube OD sizes: 1/2 to 2 inches

Materials

Flange: 304 stainless steel
(316L available upon request)
O-rings: Viton, Buna & silicone

Fittings

Tube finishes: Beadblast standard
(Tumbled & electropolish available)

Fasteners: Wingnut, SureSeal,
bulkhead & EVAC clamps

Vacuum range

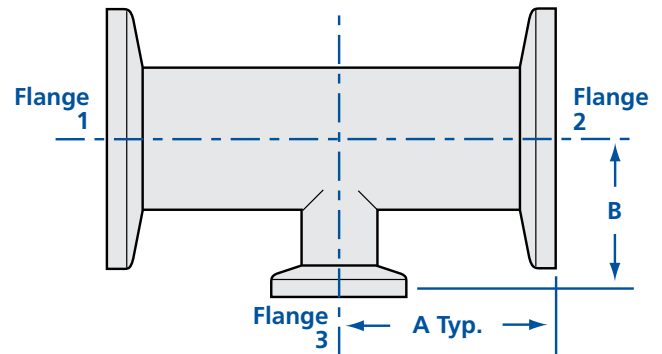
Elastomer seal: $\geq 1 \times 10^{-8}$ Torr -High vacuum
EVAC metal seal: $\geq 1 \times 10^{-11}$ Torr -UHV

Temperature range

Viton: -20°C to 200°C
Silicone: -50° to 230°C
Buna: -30°C to 110°C
EVAC metal seal: -270°C to 150°C

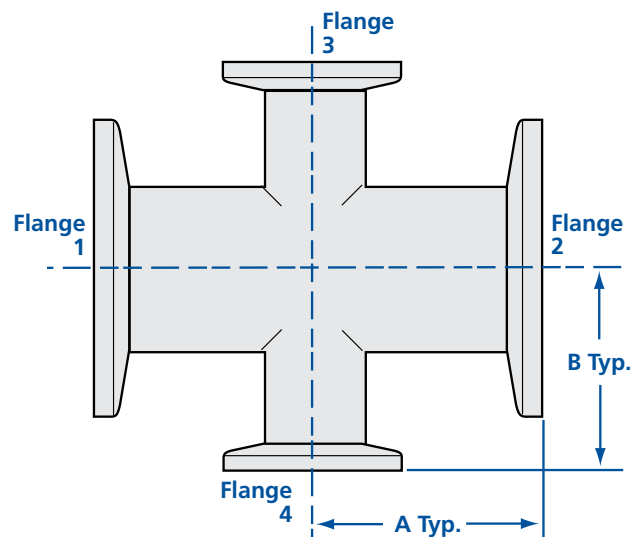
NW Reducer Tees

MODEL NUMBER	TUBE 1 & 2 ARM OD	TUBE 3 LEG OD	A	B
3TR-NW-25-16B	1	3/4	2.03	1.27
3TR-NW-40-16B	1 1/2	3/4	2.40	1.53
3TR-NW-40-25B	1 1/2	1	2.40	2.28
3TR-NW-50-16B	2	3/4	3.15	1.78
3TR-NW-50-40B	2	1 1/2	3.15	2.65



NW Reducer Crosses

MODEL NUMBER	TUBE 1 & 2 OD	TUBE 3 & 4 OD	A	B
4CR-NW-25-16B	1	3/4	2.03	1.27
4CR-NW-40-16B	1 1/2	3/4	2.40	1.53
4CR-NW-40-25B	1 1/2	1	2.40	2.28
4CR-NW-50-16B	2	3/4	3.15	1.78
4CR-NW-50-40B	2	1 1/2	3.15	2.65



REV 6/16

