

Flanges & Fittings - NW Reducer Nipples



SPECIFICATIONS

Tube OD sizes: 1/2 to 2 inches

Materials

Flange: 304 or 316L stainless steel
O-rings: Viton, Buna & silicone

Fittings

Tube finishes: Beadblast standard
(Tumbled & electropolish available)

Fasteners: Wingnut, SureSeal, bulkhead & EVAC clamps

Vacuum range

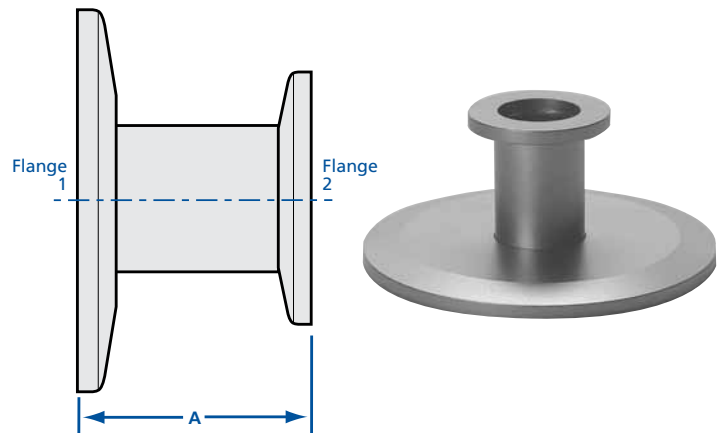
Elastomer seal: $\geq 1 \times 10^{-8}$ Torr -High vacuum
EVAC metal seal: $\geq 1 \times 10^{-11}$ Torr -UHV

Temperature range

Viton: -20°C to 200°C
Silicone: -50°C to 230°C
Buna: -30°C to 110°C
EVAC metal seal: -270°C to 150°C

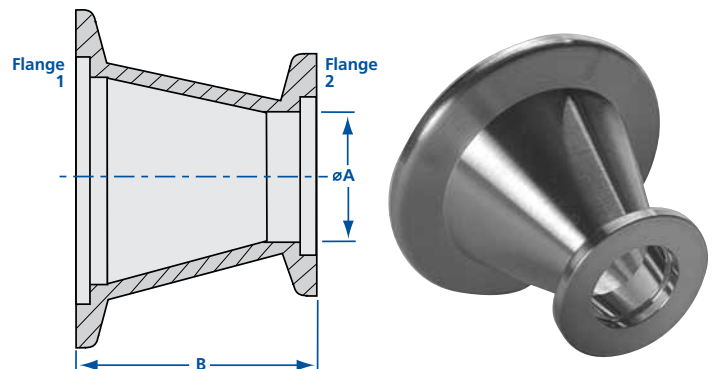
NW Reducer Nipples

MODEL NUMBER	FLANGE 1	FLANGE 2	TUBE OD	A
2NR-NW-16-10	NW-16	NW-10	1/2	1.40
2NR-NW-25-10	NW-25	NW-10	1/2	1.40
2NR-NW-25-16	NW-25	NW-16	3/4	1.30
2NR-NW-40-10	NW-40	NW-10	1/2	1.40
2NR-NW-40-16	NW-40	NW-16	3/4	1.30
2NR-NW-40-25	NW-40	NW-25	1	2.18
2NR-NW-50-10	NW-50	NW-10	1/2	1.40
2NR-NW-50-16	NW-50	NW-16	3/4	1.30
2NR-NW-50-25	NW-50	NW-25	1	2.18
2NR-NW-50-40	NW-50	NW-40	1 1/2	2.55



NW Conical Reducer Nipples

MODEL NUMBER	FLANGE 1	FLANGE 2	A	B
2NRC-NW-25-16	NW-25	NW-16	0.620	1.57
2NRC-NW-40-16	NW-40	NW-16	0.620	1.57
2NRC-NW-50-16	NW-50	NW-16	0.620	1.57
2NRC-NW-40-25	NW-40	NW-25	0.870	1.57
2NRC-NW-50-25	NW-50	NW-25	0.870	1.57
2NRC-NW-50-40	NW-50	NW-40	1.380	1.57



NW 316L Conical Reducer Nipples

MODEL NUMBER	FLANGE 1	FLANGE 2	A	B
2NRC-NW-40-25-316L	NW-40	NW-25	0.870	1.57
2NRC-NW-50-40-316L	NW-50	NW-40	1.380	1.57

REV 6/16

