

Flanges & Fittings - NW Half & Full Nipples



SPECIFICATIONS

Tube OD sizes: 1/2 to 2 inches

Materials

Flange: 304 stainless steel
(316L available upon request)
O-rings: Viton, Buna & silicone

Fittings

Tube finishes: Beadblast standard
(Tumbled & electropolish available)

Fasteners: Wingnut, SureSeal,
bulkhead & EVAC clamps

Vacuum range

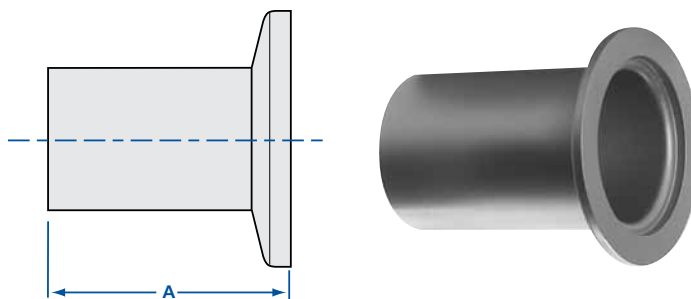
Elastomer seal: $\geq 1 \times 10^{-8}$ Torr -High vacuum
EVAC metal seal: $\geq 1 \times 10^{-11}$ Torr - UHV

Temperature range

Viton: -20°C to 200°C
Silicone: -50° to 230°C
Buna: -30°C to 110°C
EVAC metal seal: -270°C to 150°C

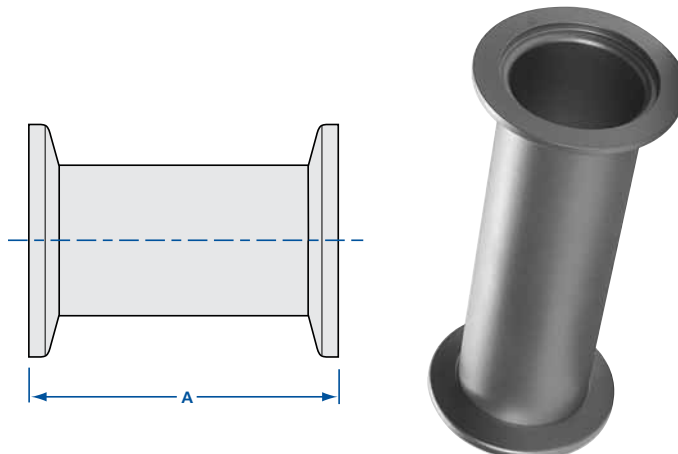
NW Half Nipples

MODEL NUMBER	TUBE OD	A
1N-NW-10	1/2	1.25
1N-NW-16B	3/4	1.15
1N-NW-25B	1	2.03
1N-NW-40B	1 1/2	2.40
1N-NW-50B	2	3.15



NW Full Nipples

MODEL NUMBER	TUBE OD	A
2N-NW-10	1/2	2.50
2N-NW-16B	3/4	2.30
2N-NW-25B	1	4.06
2N-NW-40B	1 1/2	4.80
2N-NW-50B	2	6.30



REV 6/16

