

Flanges & Fittings - NW 90° Radius & Mitered Elbows



NW 90° Radius Elbows

MODEL NUMBER	TUBE OD	A	B
2E-NW-10	1/2	1.25	0.75
2E-NW-16B	3/4	1.15	1.00
2E-NW-25B	1	1.65	1.50
2E-NW-25H	1	1.97	1.50
2E-NW-40B	1 1/2	2.40	2.25
2E-NW-40H	1 1/2	2.56	2.25
2E-NW-40HL	1 1/2	5.12	2.25
2E-NW-50B	2	3.15	3.00
2E-NW-50HL	2	5.51	3.00



NW 90° Mitered Elbows

MODEL NUMBER	TUBE OD	A
2E-NW-16MB	3/4	1.15
2E-NW-25MB	1	2.03
2E-NW-40MB	1 1/2	2.40
2E-NW-40MH	1 1/2	2.56
2E-NW-50MB	2	3.15
2E-NW-50MH	2	2.76

SPECIFICATIONS

Tube OD sizes: 1/2 to 2 inches

Materials

Flange: 304 stainless steel
(316L available upon request)

O-rings: Viton, Buna & silicone

Fittings

Tube finishes: Beadblast standard
(Tumbled & electropolish available)

Fasteners: Wingnut, SureSeal,
bulkhead & EVAC clamps

Vacuum range

Elastomer seal: $\geq 1 \times 10^{-8}$ Torr -High vacuum
EVAC metal seal: $\geq 1 \times 10^{-11}$ Torr - UHV

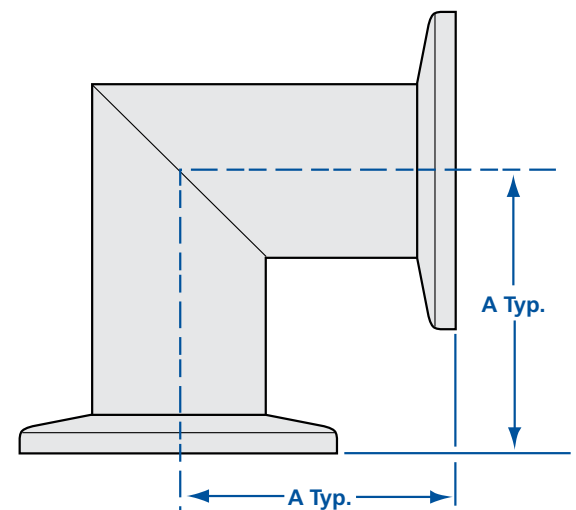
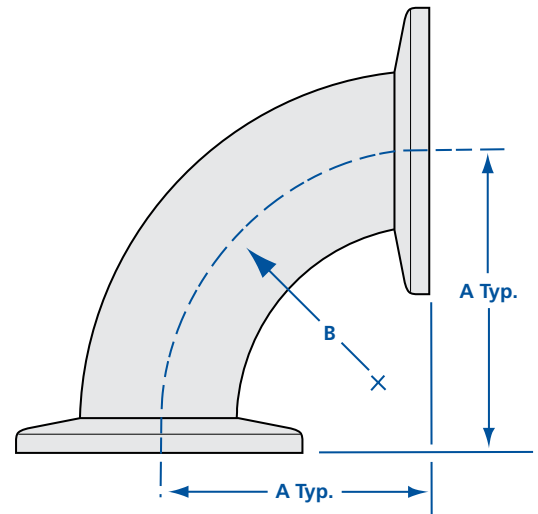
Temperature range

Viton: -20°C to 200°C

Silicone: -50°C to 230°C

Buna: -30°C to 110°C

EVAC metal seal: -270°C to 150°C



REV 6/16

