

Flanges & Fittings - NW 45° Radius Elbows



NW 45° Radius Elbows

MODEL NUMBER	TUBE OD	A
2K-NW-25	1	0.77
2K-NW-40	1½	1.08
2K-NW-50	2	1.39



NW 45° Radius Elbows with Tangents

MODEL NUMBER	TUBE OD	A
2KL-NW-16	¾	0.91
2KL-NW-25	1	1.12
2KL-NW-40	1½	1.68
2KL-NW-50	2	1.99

SPECIFICATIONS

Tube OD sizes: ½ to 2 inches

Materials

Flange: 304 stainless steel
(316L available upon request)

O-rings: Viton, Buna & silicone

Fittings

Tube finishes: Beadblast standard
(Tumbled & electropolish available)

Fasteners: Wingnut, SureSeal,
bulkhead & EVAC clamps

Vacuum range

Elastomer seal: $\geq 1 \times 10^{-8}$ Torr -High vacuum

EVAC metal seal: $\geq 1 \times 10^{-11}$ Torr -UHV

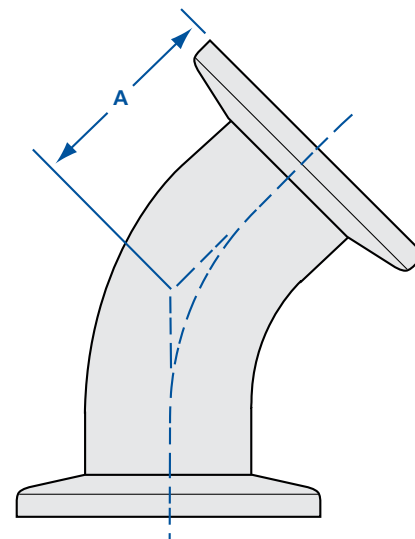
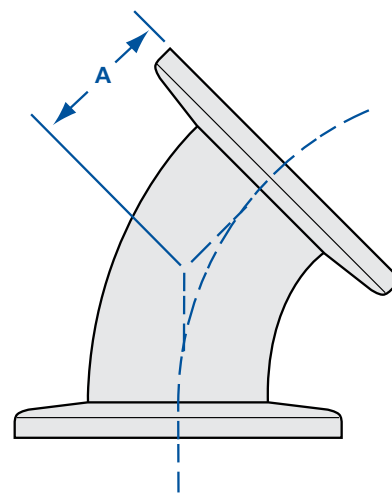
Temperature range

Viton: -20°C to 200°C

Silicone: -50° to 230°C

Buna: -30°C to 110°C

EVAC metal seal: -270°C to 150°C



REV 6/16

