

Flanges & Fittings - CF to ASA Conical Adapter Nipples



SPECIFICATIONS

Materials: 304 stainless steel
(316L available upon request)

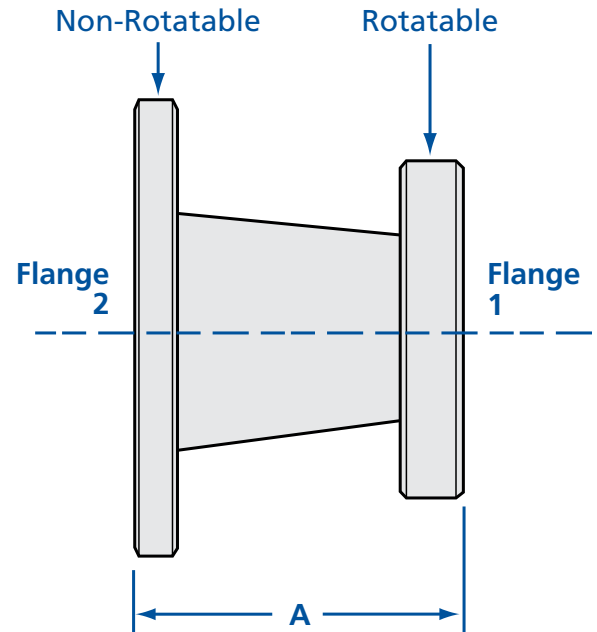
Vacuum range: $\geq 1 \times 10^{-8}$ Torr - High vacuum

Temperature range: -20°C to 150°C

CF to ASA Conical Adapter Nipples

MODEL NUMBER	FLANGE 1		FLANGE 2		A
	TYPE	TUBE OD	TYPE	TUBE OD	
ANC-212-ASA-5	2.12 CF	1	ASA-5	2	2.79
ANC-275-ASA-5	2.75 CF	1½	ASA-5	2	2.83
ANC-275-ASA-6	2.75 CF	1½	ASA-6	3	4.08
ANC-338-ASA-5	3.38 CF	2	ASA-5	2½	2.85
ANC-338-ASA-6	3.38 CF	2	ASA-6	3	4.10
ANC-338-ASA-7.5	3.38 CF	2	ASA-7.5	4	4.10
ANC-450-ASA-5	4.50 CF	2	ASA-5	2	3.00
ANC-450-ASA-6	4.50 CF	2½	ASA-6	3	4.25
ANC-450-ASA-7.5	4.50 CF	2½	ASA-7.5	4	4.25
ANC-462-ASA-5	4.62 CF	3	ASA-5	2	4.16
ANC-462-ASA-7.5	4.62 CF	3	ASA-7.5	4	4.16
ANC-600-ASA-5	6.00 CF	4	ASA-5	2	4.31
ANC-600-ASA-6	6.00 CF	4	ASA-6	3	4.31

Note: Add suffix "-G" to model number if O-ring groove is required on ASA flange.
Call for ASA groove prices.



REV 6/16

