

# Flanges & Fittings - CF Straight-Through Special Purpose Flanges



## SPECIFICATIONS

### General:

Nonrotatable with clearance bolt holes

### Material

Flanges: 304 stainless steel

(316L available on request)

Gaskets: Copper, Viton

Bolts: 18-8 stainless steel

**Torque (inch /lbs):** 1.33=28, 2.75=110

### Vacuum range

Metal seal:  $\geq 1 \times 10^{-13}$  Torr - UHV

Elastomer seal:  $\geq 1 \times 10^{-8}$  Torr - High vacuum

### Temperature range

Metal seal: -200°C to 450°C

Elastomer seal: -20°C to 150°C

## CF Straight-Through Special Purpose Flanges

MODEL NUMBER	FLANGE OD	FEATURE	DIAGRAM
133-ST	1.33	(1) 1/8" NPT hole	A
275-ST	2.75	(1) 1/8" NPT hole	A
133-STT	1.33	Thermocouple gauge tube	B
275-STT	2.75	Thermocouple gauge tube	B
133-STV	1.33	Up-to-air valve	C
275-STV	2.75	Up-to-air valve	C
133-STV-1/4 MVCR	1.33	Up-to-air valve and 1/4" Cajon male VCR fitting on valve	C
275-STV-1/4 MVCR	2.75	Up-to-air valve and 1/4" Cajon male VCR fitting on valve	C
133-STV-1/4 FVCR	1.33	Up-to-air valve and 1/4" Cajon female VCR fitting on valve	C
275-STV-1/4 FVCR	2.75	Up-to-air valve and 1/4" Cajon female VCR fitting on valve	C
133-STV-1/4 SWAG	1.33	Up-to-air valve and 1/4" Swagelok fitting on valve	C
275-STV-1/4 SWAG	2.75	Up-to-air valve and 1/4" Swagelok fitting on valve	C

Diagram A

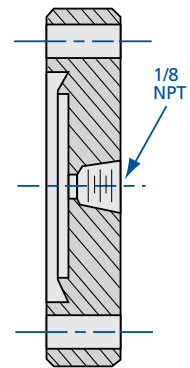


Diagram B

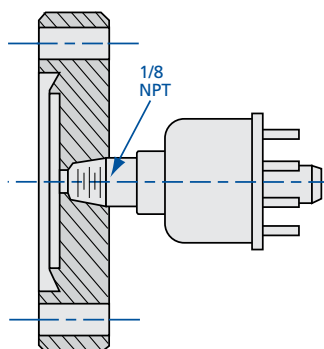
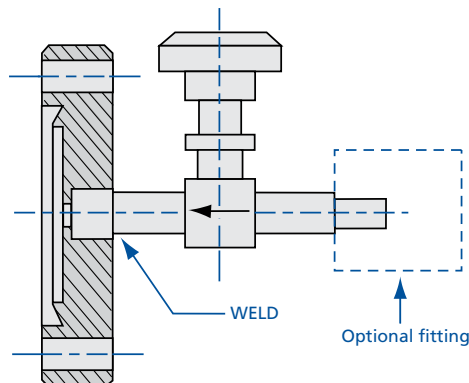


Diagram C



REV 6/16

