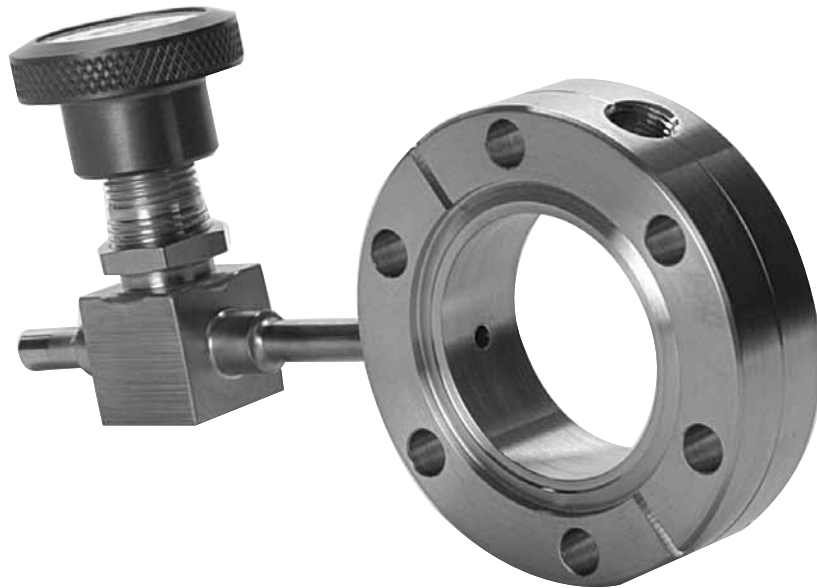


Flanges & Fittings - CF Fittings & Specialty Flanges - 133 & 275 Double Sided Special Purpose



SPECIFICATIONS

General:

Nonrotatable with clearance bolt holes

Material

Flanges: 304 stainless steel

(316L available on request)

Gaskets: Copper, Viton

Bolts: 18-8 stainless steel

Torque (inch /lbs): 1.33=28, 2.75 =110

Vacuum range

Metal seal: $\geq 1 \times 10^{-13}$ Torr - UHV

Elastomer seal: $\geq 1 \times 10^{-8}$ Torr - High vacuum

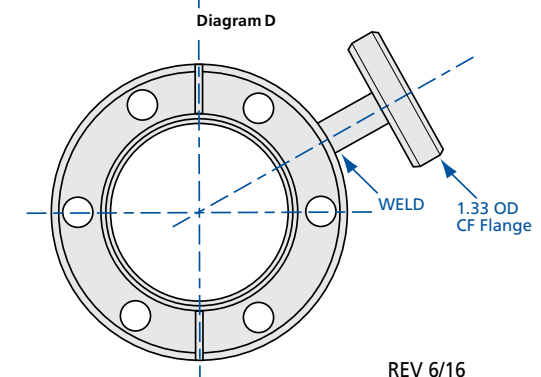
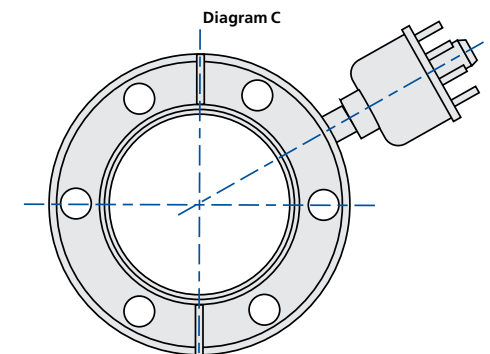
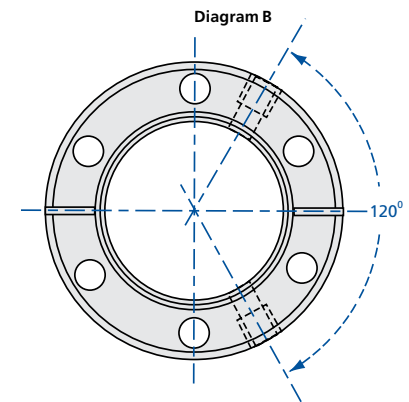
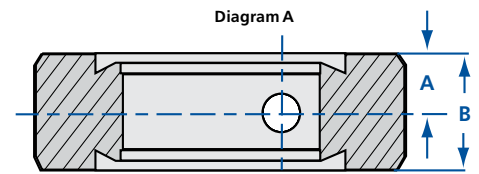
Temperature range

Metal seal: -200°C to 450°C

Elastomer seal: -20°C to 150°C

CF Double-Sided Special Purpose Flanges

MODEL NUMBER	FLANGE OD	FEATURE	DIAGRAM	A	B
133-D1	1.33	(1) $\frac{1}{16}$ " NPT hole	A	0.25	0.50
275-D1	2.75	(1) $\frac{1}{8}$ " NPT hole	A	0.38	0.75
133-D2	1.33	(2) $\frac{1}{16}$ " NPT holes	B	0.25	0.50
275-D2	2.75	(2) $\frac{1}{8}$ " NPT holes	B	0.38	0.75
133-DT	1.33	Thermocouple gauge tube	C	0.25	0.50
275-DT	2.75	Thermocouple gauge tube	C	0.38	0.75
275-DS-MINI	2.75	(1) 1.33" OD side port	D	0.38	0.75



REV 6/16

