

Flanges & Fittings - ASA Reducer Nipples & Conical Reducer Nipples



SPECIFICATIONS

General: Rotatable and nonrotatable

Materials

Flanges: 304 stainless steel

Torque: 190 inch/lbs.

Vacuum range: $\geq 1 \times 10^{-8}$ Torr - High vacuum

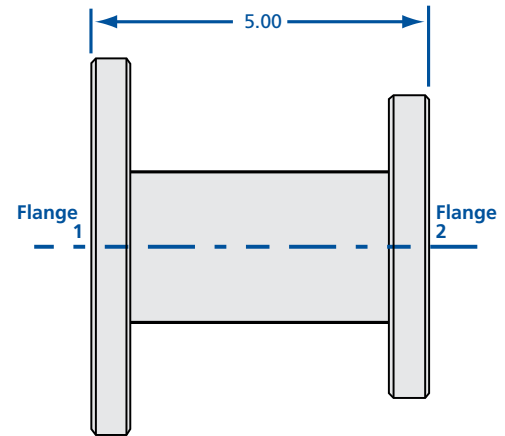
Temperature range: -20° to 204°C

Sustained: -20°C to 150°C

ASA Reducer Nipples

One of each pair of mating ASA flanges requires an O-ring groove. To specify grooved flanges refer to the instructions below.

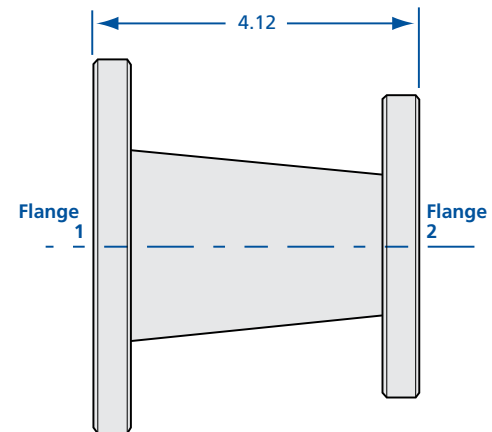
MODEL NUMBER	FLANGE 1	FLANGE 2	TUBE OD
2NR-ASA-9-5-N	ASA-9	ASA-5	2
2NR-ASA-9-6-N	ASA-9	ASA-6	3
2NR-ASA-9-7.5-N	ASA-9	ASA-7.5	4
2NR-ASA-11-5-N	ASA-11	ASA-5	2
2NR-ASA-11-6-N	ASA-11	ASA-6	3
2NR-ASA-11-7.5-N	ASA-11	ASA-7.5	4
2NR-ASA-11-9-N	ASA-11	ASA-9	6
2NR-ASA-13.5-5-N	ASA-13.5	ASA-5	2
2NR-ASA-13.5-6-N	ASA-13.5	ASA-6	3
2NR-ASA-13.5-7.5-N	ASA-13.5	ASA-7.5	4
2NR-ASA-13.5-9-N	ASA-13.5	ASA-9	6
2NR-ASA-13.5-11-N	ASA-13.5	ASA-11	8
2NR-ASA-16-5-N	ASA-16	ASA-5	2
2NR-ASA-16-6-N	ASA-16	ASA-6	3
2NR-ASA-16-7.5-N	ASA-16	ASA-7.5	4
2NR-ASA-16-9-N	ASA-16	ASA-9	6
2NR-ASA-16-11-N	ASA-16	ASA-11	8
2NR-ASA-16-13.5-N	ASA-16	ASA-13.5	10



Conical Reducer Nipples

One of each pair of mating ASA flanges requires an O-ring groove. To specify grooved flanges refer to the instructions below.

MODEL NUMBER	FLANGE 1 SIZE	FLANGE 1 TUBE OD	FLANGE 2 SIZE	FLANGE 2 TUBE OD
2NRC-ASA-6-5-N	ASA-6	3	ASA-5	2
2NRC-ASA-7.5-5-N	ASA-7.5	4	ASA-5	2
2NRC-ASA-7.5-6-N	ASA-7.5	4	ASA-6	3



Indicate grooved flanges by adding "-G+Flange number from drawing" to the end of main part number.

Example: 2NRC-ASA-7.5-5-G1

REV6/16

