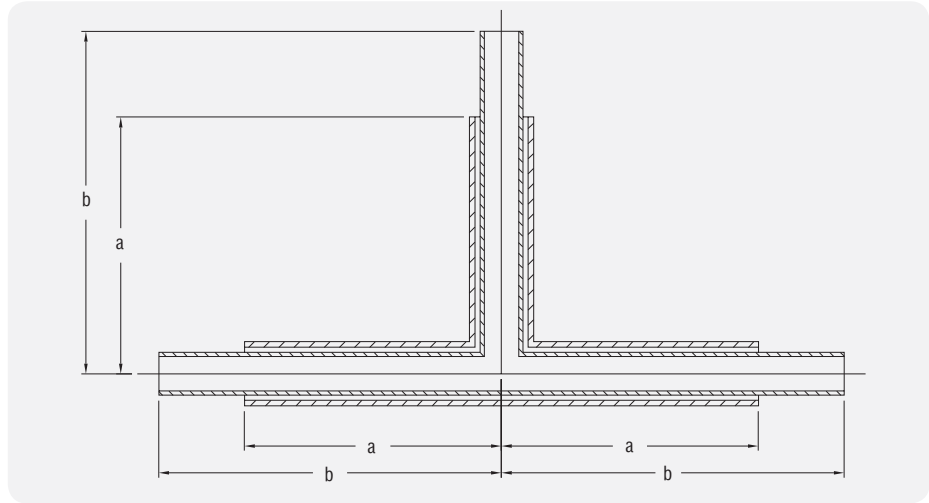


# coaxial equal tee X7WWW



To complete part number add product specification.

Example: X7WWW0408T50

part no.	process tube	dimensions						product specifications					
		process od	wall	contain od	wall	a	b	5	10	20	25	50	TC22
X7WWW0408T_	316L SS SMLS	.250	.035	.500	.049	2.87	3.87	●	●	●	●	●	
X7WWW0408TG22	Hastelloy® C22 SMLS	.250	.035	.500	.049	2.87	3.87						●
X7WWW0610T_	316L SS SMLS	.375	.035	.625	.049	3.00	4.00	●	●	●	●	●	
X7WWW0610TG22	Hastelloy C22 SMLS	.375	.035	.625	.049	3.00	4.00						●
X7WWW0812T_	316L SS SMLS	.500	.049	.750	.065	3.00	4.00	●	●	●	●	●	
X7WWW0812TG22	Hastelloy C22 SMLS	.500	.049	.750	.065	3.00	4.00						●
X7WWW1216T_	316L SS SMLS	.750	.065	1.00	.065	4.62	6.37	●	●	●	●	●	
X7WWW1620T_	316L SS SMLS	1.00	.065	1.25	.065	4.75	6.50	●	●	●	●	●	