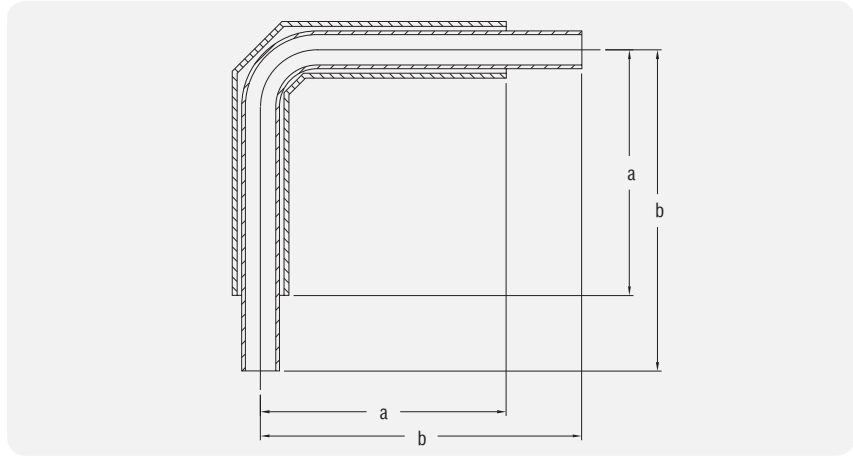


coaxial 90° elbow X2WW



To complete part number add product specification.

Example: X2WW0408T50

| part no. | process tube | dimensions | | | | | | | product specifications | | | | | |
|--------------|---------------------|------------|------|------------|------|------|------|------|------------------------|----|----|----|----|------|
| | | process od | wall | contain od | wall | a | b | r | 5 | 10 | 20 | 25 | 50 | TG22 |
| X2WW0408T | 316L SS SMLS | .250 | .035 | .500 | .049 | 3.37 | 4.37 | .560 | ● | ● | ● | ● | ● | |
| X2WW0408TG22 | Hastelloy® C22 SMLS | .250 | .035 | .500 | .049 | 3.37 | 4.37 | .560 | | | | | | ● |
| X2WW0610T | 316L SS SMLS | .375 | .035 | .625 | .049 | 3.12 | 4.12 | .560 | ● | ● | ● | ● | ● | |
| X2WW0610TG22 | Hastelloy C22 SMLS | .375 | .035 | .625 | .049 | 3.12 | 4.12 | .560 | | | | | | ● |
| X2WW0812T | 316L SS SMLS | .500 | .049 | .750 | .065 | 3.25 | 4.25 | .750 | ● | ● | ● | ● | ● | |
| X2WW0812TG22 | Hastelloy C22 SMLS | .500 | .049 | .750 | .065 | 3.25 | 4.25 | .750 | | | | | | ● |
| X2WW1216T | 316L SS SMLS | .750 | .065 | 1.00 | .065 | 5.00 | 6.75 | 1.12 | ● | ● | ● | ● | ● | |
| X2WW1620T | 316L SS SMLS | 1.00 | .065 | 1.25 | .065 | 5.37 | 7.12 | 1.50 | ● | ● | ● | ● | ● | |