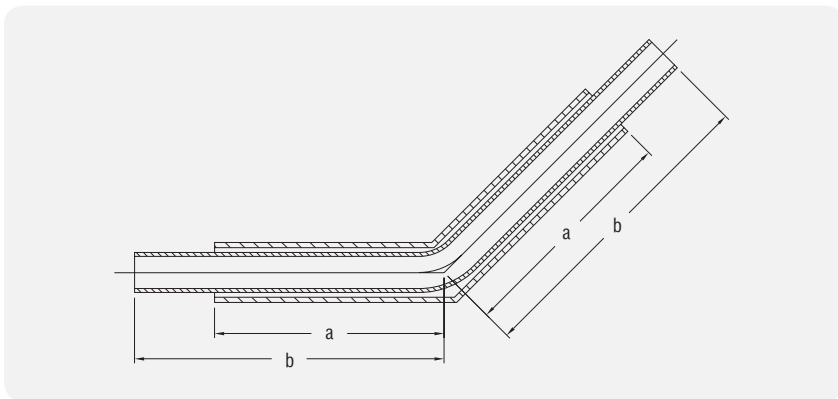


# coaxial 45° elbow X3WW



To complete part number add product specification.

Example: X3WW0408T50

part no.	process tube	dimensions							product specifications					
		process od	wall	contain od	wall	a	b	r	5	10	20	25	50	TG22
X3WW0408T_	316L SS SMLS	.250	.035	.500	.049	3.00	4.00	.560	●	●	●	●	●	
X3WW0408TG22	Hastelloy® C22 SMLS	.250	.035	.500	.049	3.00	4.00	.560						●
X3WW0610T_	316L SS SMLS	.375	.035	.625	.049	2.87	3.87	.560	●	●	●	●	●	
X3WW0610TG22	Hastelloy C22 SMLS	.375	.035	.625	.049	2.87	3.87	.560						●
X3WW0812T_	316L SS SMLS	.500	.049	.750	.065	2.87	3.87	.750	●	●	●	●	●	
X3WW0812TG22	Hastelloy C22 SMLS	.500	.049	.750	.065	2.87	3.87	.750						●
X3WW1216T_	316L SS SMLS	.750	.065	1.00	.065	4.37	6.12	1.12	●	●	●	●	●	
X3WW1620T_	316L SS SMLS	1.00	.065	1.25	.065	4.50	6.25	1.50	●	●	●	●	●	

Consult factory for availability of other materials, sizes, or wall thickness.