

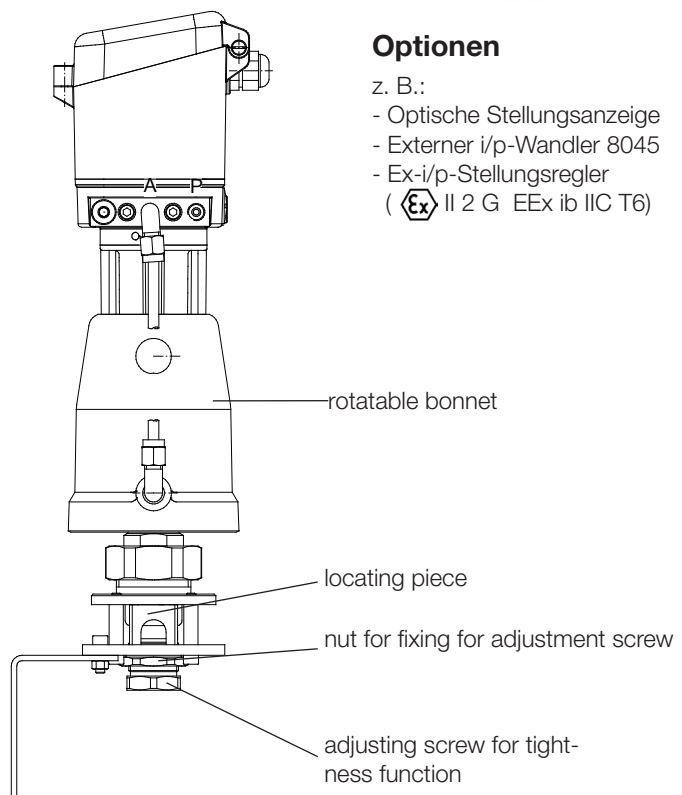
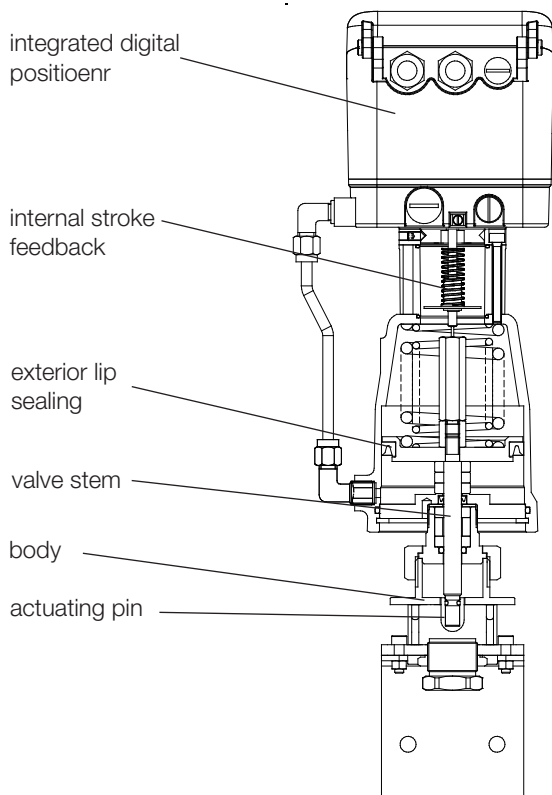
# Pinch Control Valve for endless tubes 7077



with integrated positioner 1/8" up to 1/2"

**Pneumatically operated control valves for applications in chemistry, food industry and pharmaceuticals.**

- Integrated positioner
- Fast and simple change of tube
- Without cavities and back tapers
- No fluid contact to the valve
- working pressure up to 58 psi



## Optionen

- z. B.:
- Optische Stellungenanzeige
  - Externer i/p-Wandler 8045
  - Ex-i/p-Stellungsregler (Ex II 2 G EEx ib IIC T6)

## Positioner

For technical information of our positioners please refer to the corresponding data sheets.

# Pinch Control Valve for endless tubes 7077



## with integrated positioner

### Technical Information Valve

Nominal size	1/8", 3/8", 1/2"
Tube (outer diameter)	3/8" - 1/2" - 5/8"
3 interchangeable fixing pieces	3/8" - 1/2" - 5/8"
Adjustment of stroke	complete stroke 0.67 inch (standard) 0.16, 0.20, 0.24, 0.28, 0.35, 0.43, 0.51, 0.59 inch (with software adjustable)
Body material	stainless steel 304
Working pressure	0 - 58 psi according to the quality of the tube, the shore hardness and the thickness of the tube material
Tube types	all types of elastomer up to shore hardness 65°A
Pilot pressure	44 - 87 psi
Thread for pilot connection	G 1/8"
Fluid temperature	-22°F up to +338°F (according to the quality of the tube)
Weight	9.7 lbs

### Ordering Number System

7	0	7	7	/				V	9									S		
Model				Size				Symbol: "V": Valve "A": Actuator (valve without body) "R": Repair kit (sealings)												

1 - 5 : Please quote all 6 sections.  
6 - 12 : Quote only if required.

1. Body type	2. Material of the lower part	3. Material of the actuator	4. Positioner	5. Actuator Kolben 80 mm	6. Springs
1 pinch control valve Type 7077	A stainless steel 304	1 brass, chrome plated 2 stainless steel 316L 3 plastic	- without 6 p/p positioner 7 i/p positioner 8 i/p positioner with plug connection M12x1 9 i/p positioner ex-proof (II 2 G Eex ib IIC T6), plug connection M12x1 C digital positioner, type 8049 4 wire R digital positioner type 8049 2 wire T digital positioner type 8049 AS-i version W digital positioner type 8049 2-wire, ex-version	8 piston 3" (NPT)	- without significance 1 spring to open (only with digital positioner)
7. Adjustment of the stroke	8. Fittings	9. Accessories	10. Special versions	11. Adjustment of the positioner	12. Adjustment of the supply air
- complete stroke 0.67 inch) 4 adjustment 0.16 5 adjustment 0.20 6 adjustment 0.24 7 adjustment 0.28 9 adjustment 0.35 A adjustment 0.43 B adjustment 0.51 C adjustment 0.59	- without fittings and tubing made from PA 2 fittings and tubing made of brass nickel-plate 3 fittings and tubing made of stainless steel 316Ti	- without pilot-valve 1/24" 230V AC 7 pilot-valve 1/24" 24V DC C pilot-valve 1/24" 24V/50Hz	S State, if further sections are quoted	- standard 0 0 - 20 mA 3 inverse function 20 - 4 mA 7 0 - 10 V	- standard 1 adjustment of the positioner with 73 psi supply air G positioner with a low air consumption H positioner with a high air consumption

Ordering Example:

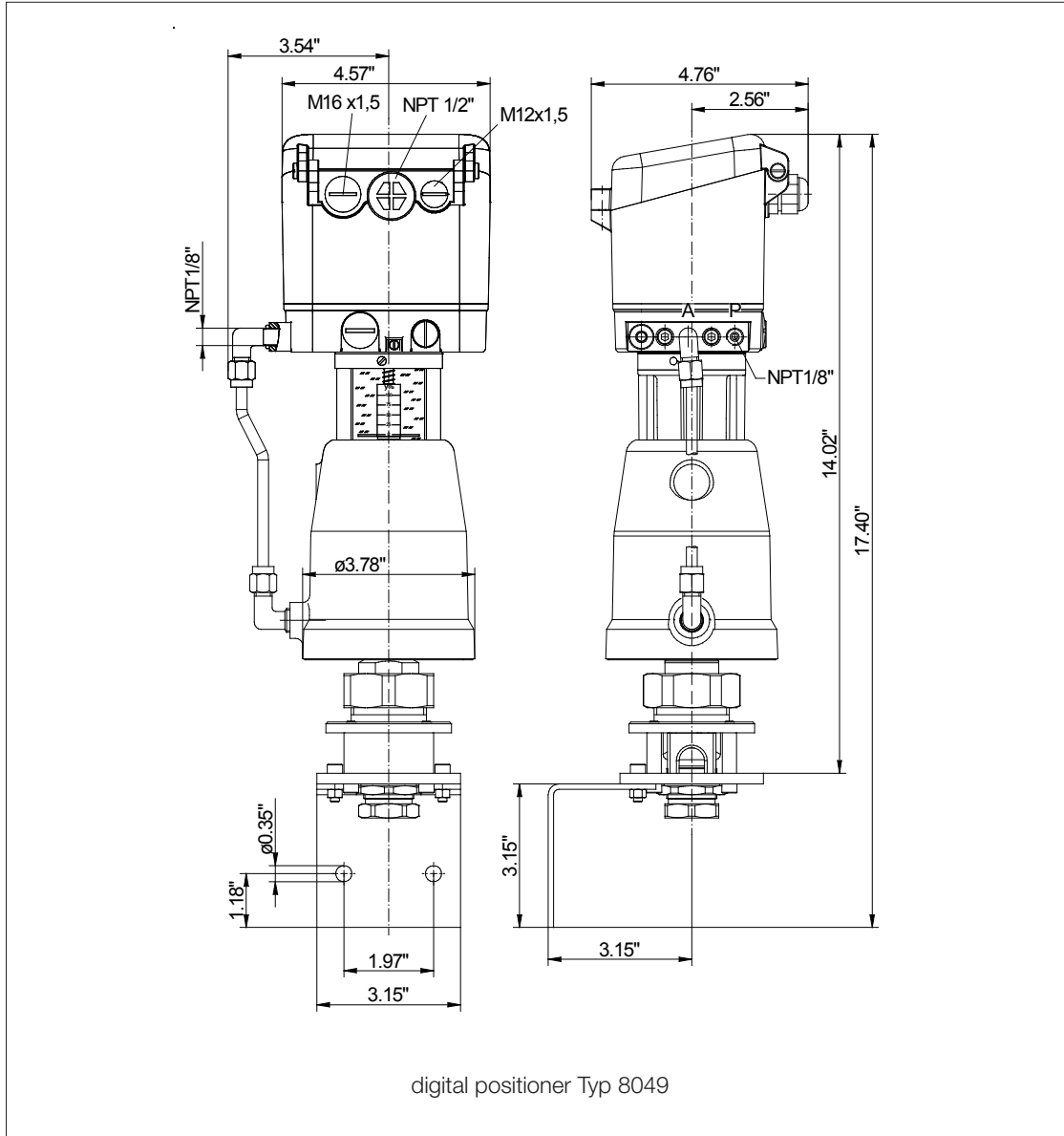
7077/014V91A2C8--3

Pinch control valve for endless tubes , DN 14, Material of the lower part stainless steel 304, actuator Ø 80 mm (NPT) stainless steel 316 L, digital positioner 4 wire, adjustment of the stroke 0.67 inch, fittings and tubing made of stainless steel 316 Ti

# Pinch Control Valve for endless tubes 7077

## with integrated positioner

### Dimensions and Weights



Weight: 10,4 lbs