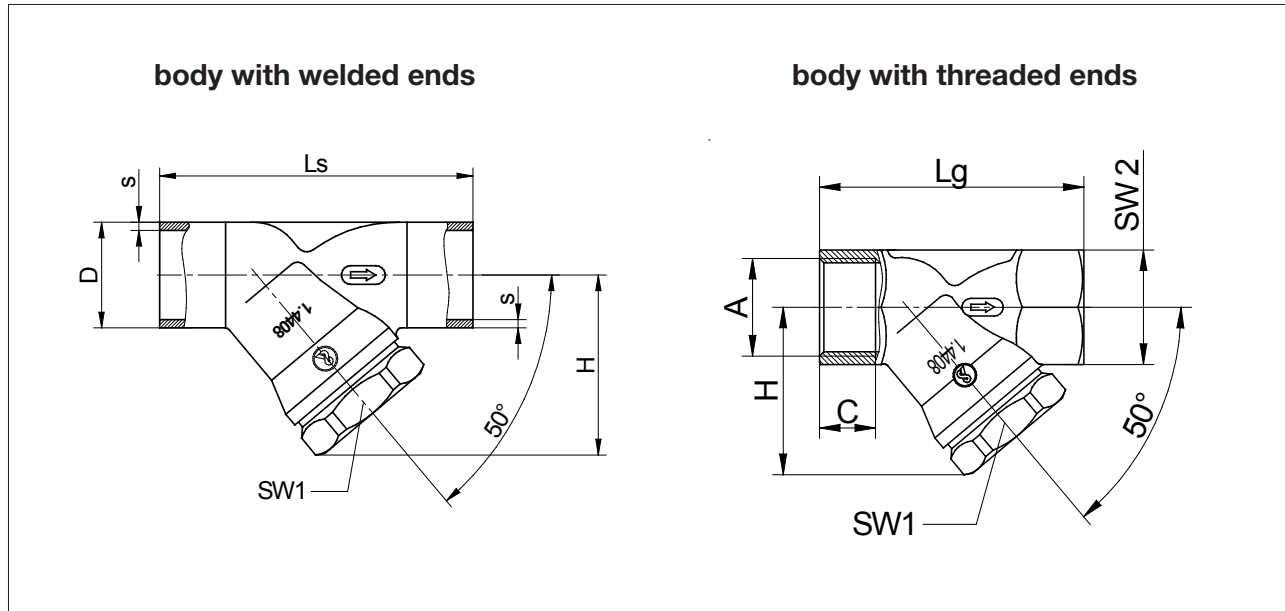


Dimensions and Weights

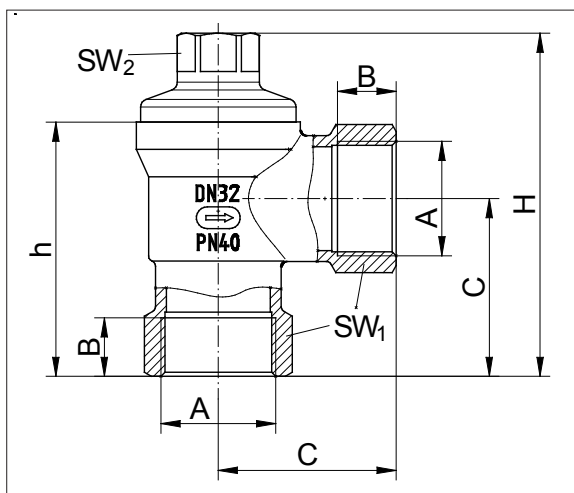
angle seat body



Size	A	C	H	D		S		Lg	Ls	SW1	SW2	Cv value	Weight lbs
	Rp/NPT			DIN	ISO	DIN	ISO						
3/8"	3/8"	0.47	1.61	-	-	-	-	2.36	-	1.06	0.91	1.2	0.5
1/2"	1/2"	0.59	1.59	0.71	0.84	0.06	0.08	2.56	3.15	1.06	0.98	2.9	0.5
3/4"	3/4"	0.64	1.89	0.87	1.06	0.06	0.09	2.95	3.54	1.26	1.22	5.8	0.5
1"	1"	0.75	2.26	1.1	1.33	0.06	0.1	3.54	3.94	1.42	1.54	9.9	1
1 1/4"	1 1/4"	0.84	2.78	1.34	1.67	0.06	0.1	4.33	4.33	1.42	1.89	16.8	2
1 1/2"	1 1/2"	0.84	2.87	1.57	1.9	0.06	0.1	4.72	4.72	1.42	2.17	22.6	2.5
2"	2"	1.01	3.48	2.05	2.37	0.06	0.11	5.91	5.91	1.42	2.68	34.8	3.5
2 1/2"	2 1/2"	1.19	4.37	2.76	3	0.08	0.11	7.09	7.09	1.42	3.35	60.3	7.5

Dimension in inch

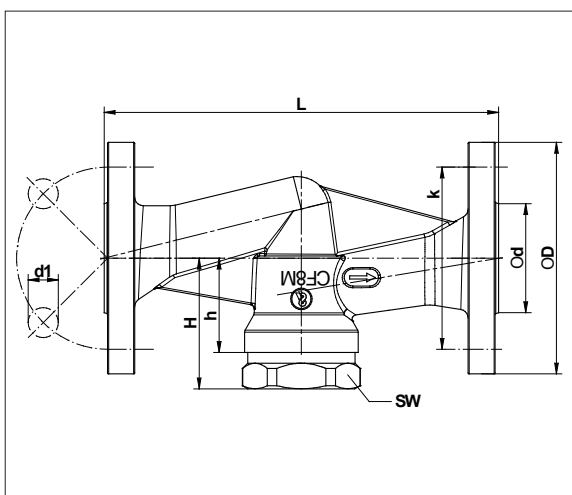
rectangular body



Size	with G-thread		with NPT-thread		C	SW1	SW2	h	H	Weight lbs
	A	B	A	B						
1/2"	G 1/2"	0.59	NPT 1/2"	0.57	1.61	0.98	1.26	2.52	2.95	3
3/4"	G 3/4"	0.64	NPT 3/4"	0.59	1.61	1.26	1.42	2.6	3.48	3.5
1"	G 1"	0.75	NPT 1"	0.7	1.61	1.61	1.42	2.66	3.76	4.5
1 1/4"	G 1 1/4"	0.84	NPT 1 1/4"	0.72	2.56	1.97	1.06	3.66	4.94	5
1 1/2"	G 1 1/2"	0.84	NPT 1 1/2"	0.72	2.56	2.17	1.42	3.98	5.51	7.5
2"	G 2"	1.01	NPT 2"	0.72	2.56	2.68	1.42	4.57	6.56	11.5

Dimension in inch

flanged body



Size	L	D	k	H	h	d	d1	SW	Weight lbs
1/2"	5.12	3.74	2.56	1.71	1.3	1.77	0.55	1.26	8.5
3/4"	5.91	4.13	2.95	2.02	1.52	2.28	0.55	1.42	8.5
1"	6.3	4.53	3.35	2.4	1.73	2.68	0.55	1.42	9.5
1 1/4"	7.09	5.51	3.94	2.44	1.93	3.07	0.71	1.06	13.5
1 1/2"	7.87	5.91	4.33	2.91	2.34	3.46	0.71	1.42	18
2"	9.06	6.5	4.92	3.81	3.2	4.02	0.71	1.42	25.5

Dimension in inch

Text and pictures are not binding. We reserve the right to alter the equipment.